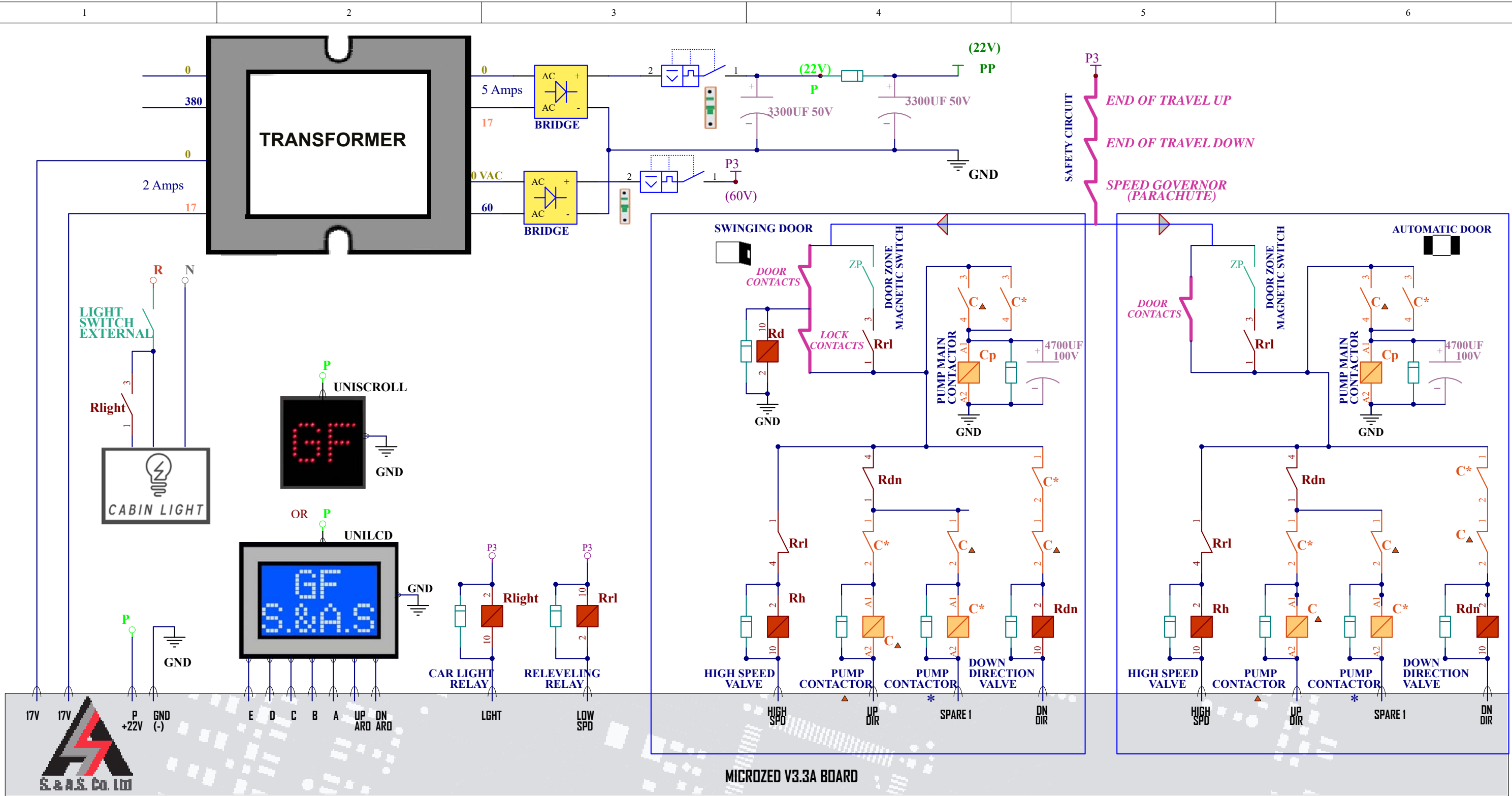


MICROZED V3.3A BOARD

S.&A.S. Ltd.
 Jieh Chouf
 Lebanon
 support@sascontrollers.com

MICROZED V3.3A HYDRAULIC WIRING DIAG: **SUPPLY & OUTPUTS**

Size B	FCSM No. -	DWG No. A330HYDV1W1_Supply_ContDC.Sch	Rev 1
Scale -	Sheet 1 of 10		

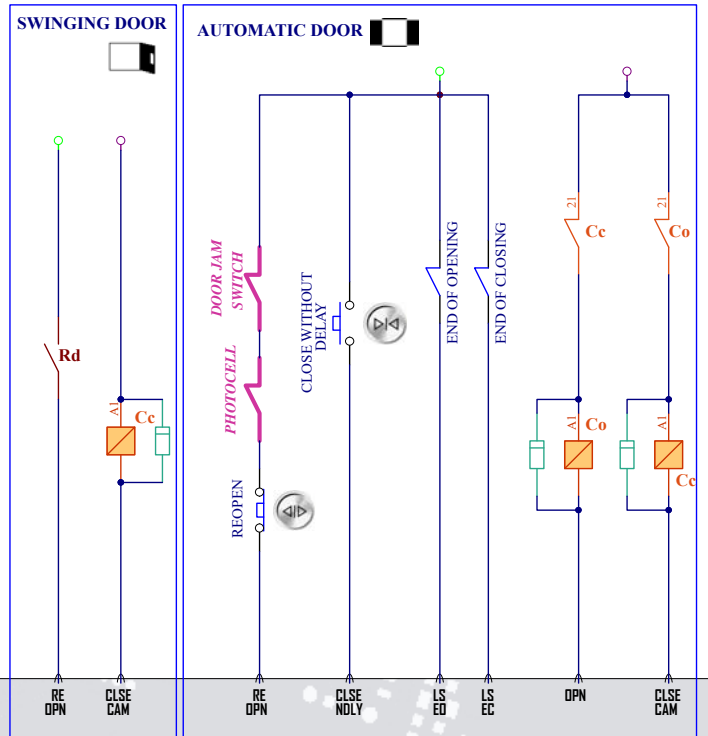
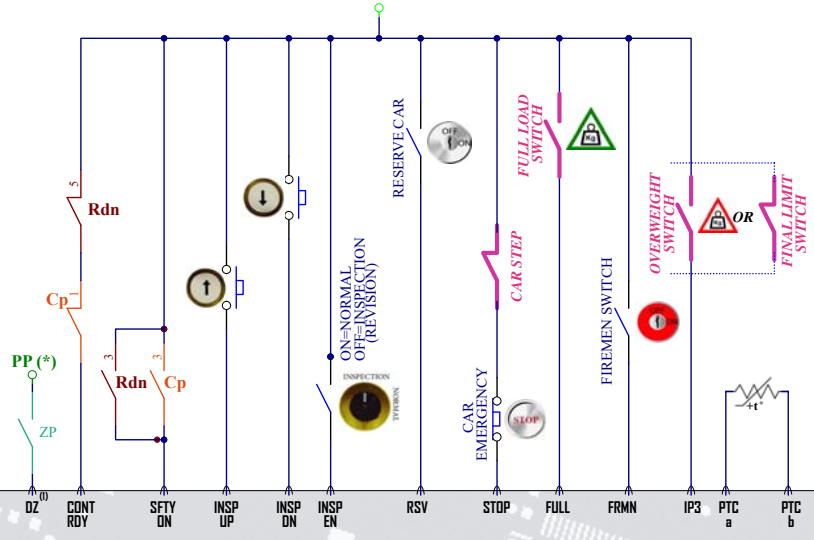
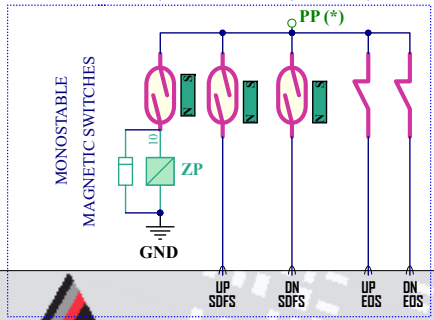
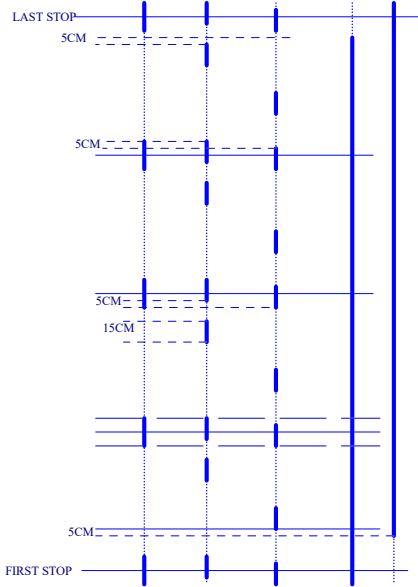


MICROZED V3.3A BOARD

S.&A.S. Ltd.
 Jieh Chouf
 Lebanon
 support@sascontrollers.com

MICROZED V3.3A HYDRAULIC WIRING DIAG: **SUPPLY & OUTPUTS - HYDRAULIC STAR/DELTA**

Size B	FCSM No. -	DWG No. A330HYDV1W2_Supply_STAR-DELTA.Sch	Rev 1
Scale -	Sheet 2 of 10		



MICROZED V3.3A BOARD

Note:
1- DZ is recommended for Automatic door.

S.&A.S. Ltd.
Jieh Chouf
Lebanon
support@sascontrollers.com
MICROZED V3.3A HYDRAULIC WIRING DIAG: **INPUTS/DOOR INFO**

Size B	FCSM No.	DWG No.	Rev
		A330HYDV1W3_Ips_ContDC.Sch	1
Scale		Sheet	3 of 10

1 2 3 4 5 6

A

B

C

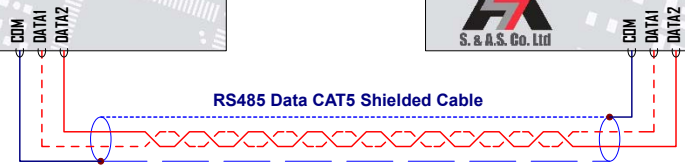
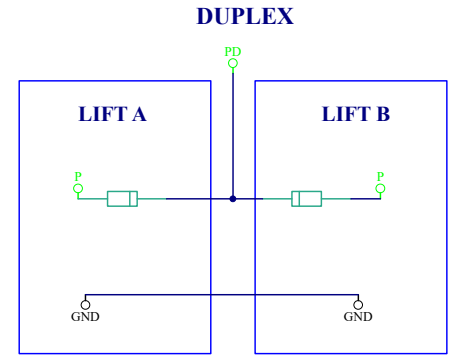
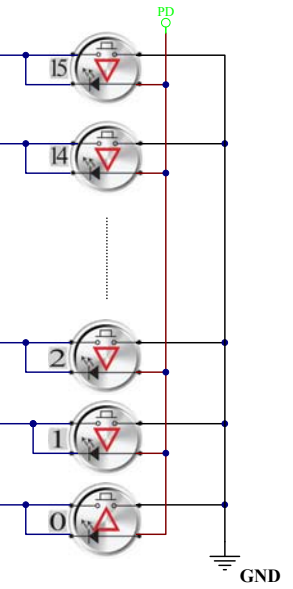
D

A

B

C

D



S.&A.S. Ltd.
 Jieh Chouf
 Lebanon
 support@sascontrollers.com

MICROZED V3.3A WIRING DIAG: LANDING CALLS FOR DUPLEX ON EXTENSION

Size B	FCSM No. -	DWG No. A330HYDV1W4_CALLS-Duplex.Sch	Rev 1
Scale -	Sheet 4 of 10		

1 2 3 4 5 6

LAND CALLS DOWN

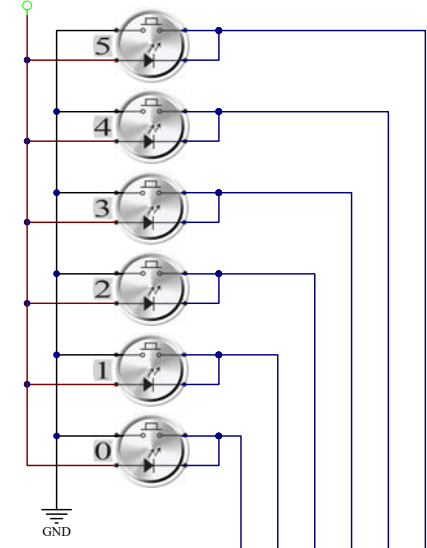
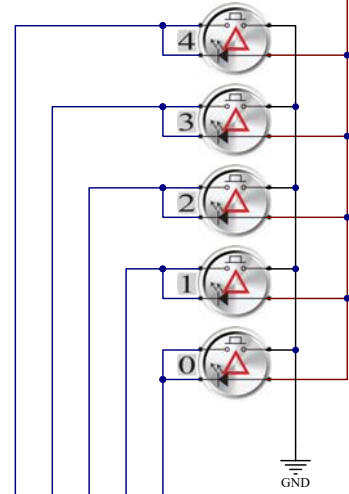
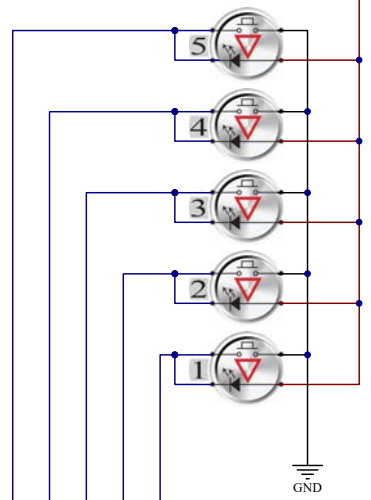
LAND CALLS UP

CAR CALLS

P OR PD IF DUPLEX

P OR PD IF DUPLEX

P





S. & A.S. Co. Ltd

CT 15 CT 14 CT 13 CT 12 CT 11

CT 10 CT 9 CT 8 CT 7 CT 6

CT 0 CT 1 CT 2 CT 3 CT 4 CT 5

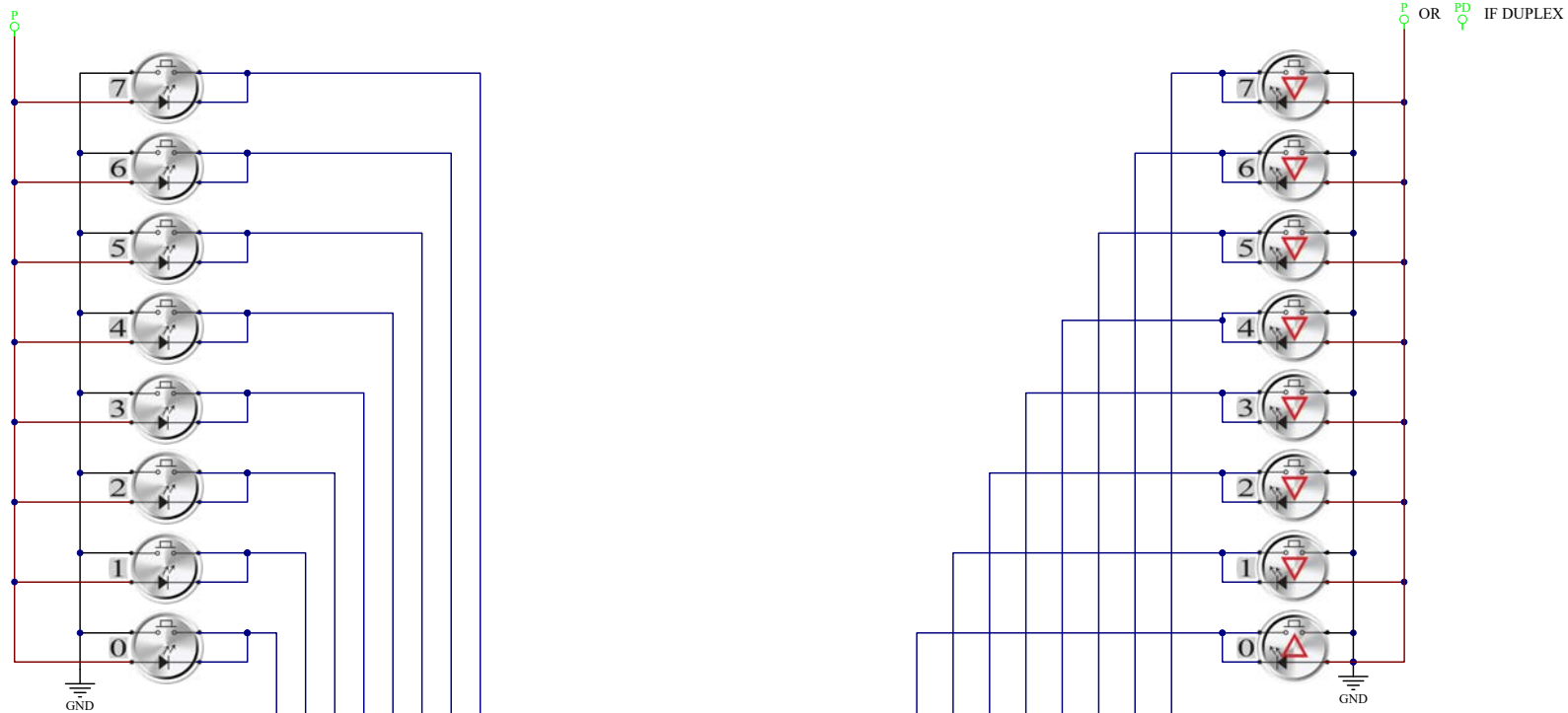
MICROZED V3.3A BOARD

S.&A.S. Ltd.
 Jieh Chouf
 Lebanon
 support@sascontrollers.com
**MICROZED V3.3A WIRING DIAG: CALLS W/O EXTENSION
 FULL COLLECTIVE - 6 STOPS**

Size B	FCSM No. -	DWG No. A330HYDV1W5_CALLS-Full6.Sch	Rev 1
Scale -	Sheet		5 of 10

CAR CALLS

LAND CALLS DOWN



P OR PD IF DUPLEX
Q

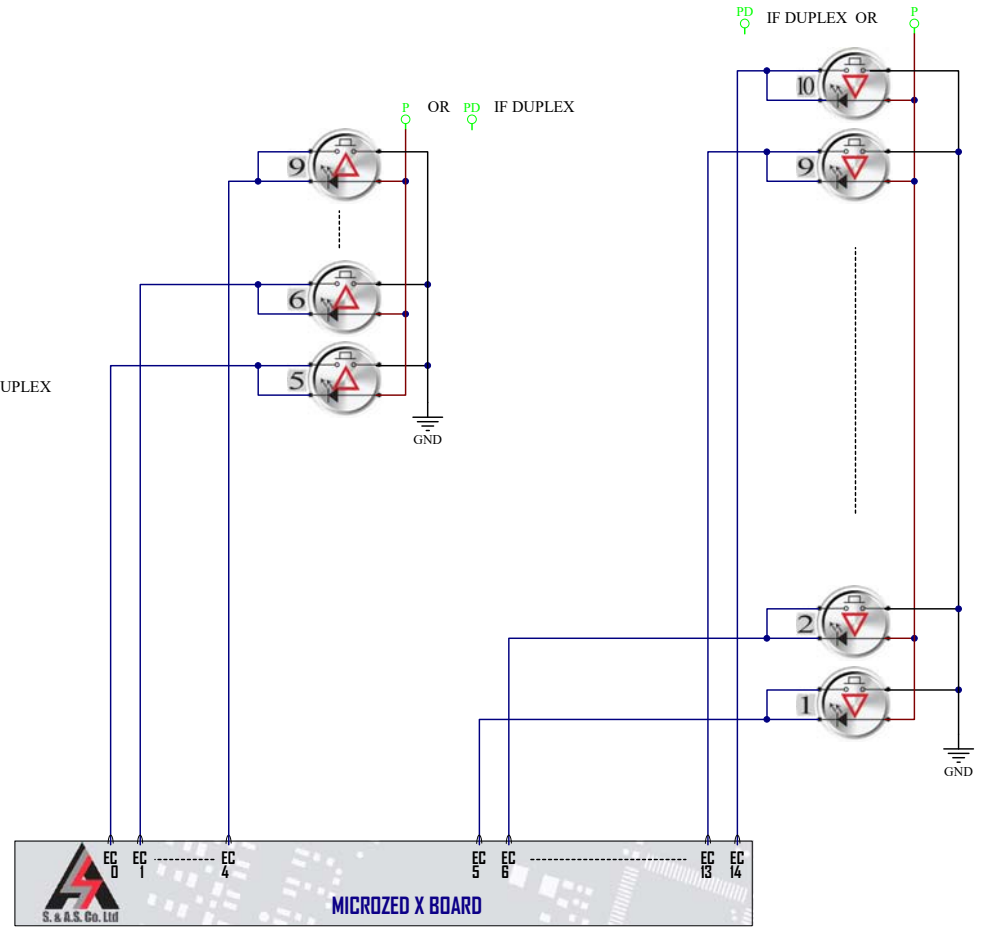
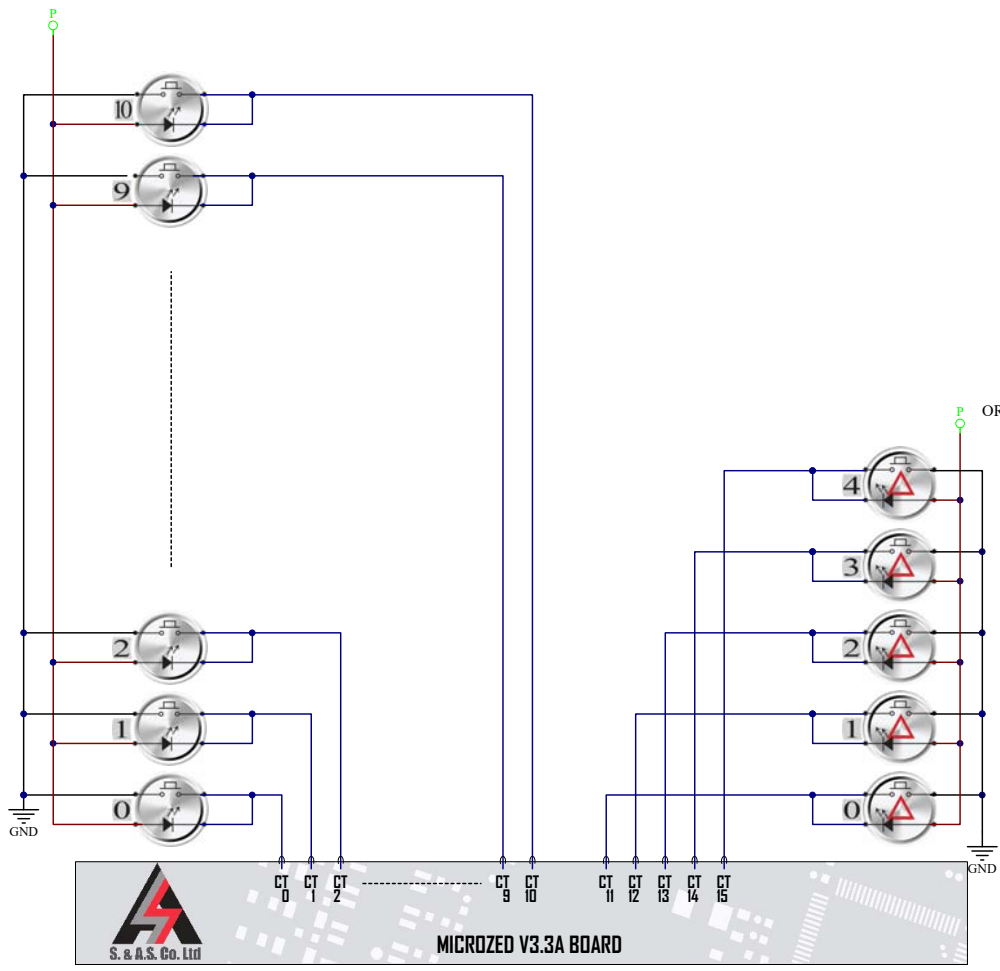


MICROZED V3.3A BOARD

S.&A.S. Ltd.
Jieh Chouf
Lebanon
support@sascontrollers.com

**MICROZED V3.3A WIRING DIAG: CALLS W/O EXTENSION
DOWN COLLECTIVE - 8 STOPS**

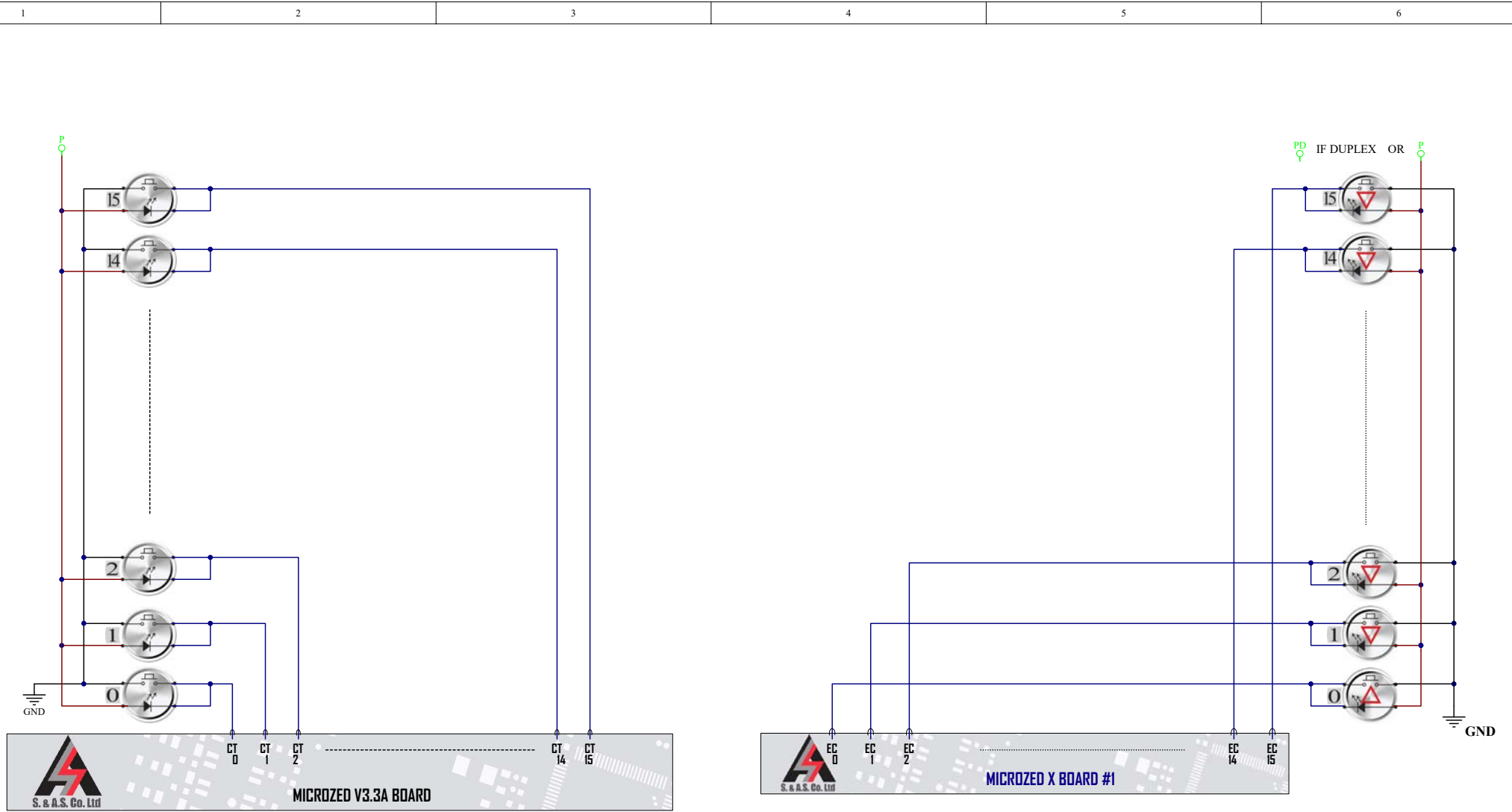
Size B	FCSM No. -	DWG No. A330HYDV1W6_CALLS-Dn8.Sch	Rev 1
Scale -	Sheet		6 of 10



S.&A.S. Ltd.
 Jieh Chouf
 Lebanon
 support@sascontrollers.com

MICROZED V3.3A WIRING DIAG: CALLS WITH 1 EXTENSION FULL COLLECTIVE - 11 STOPS

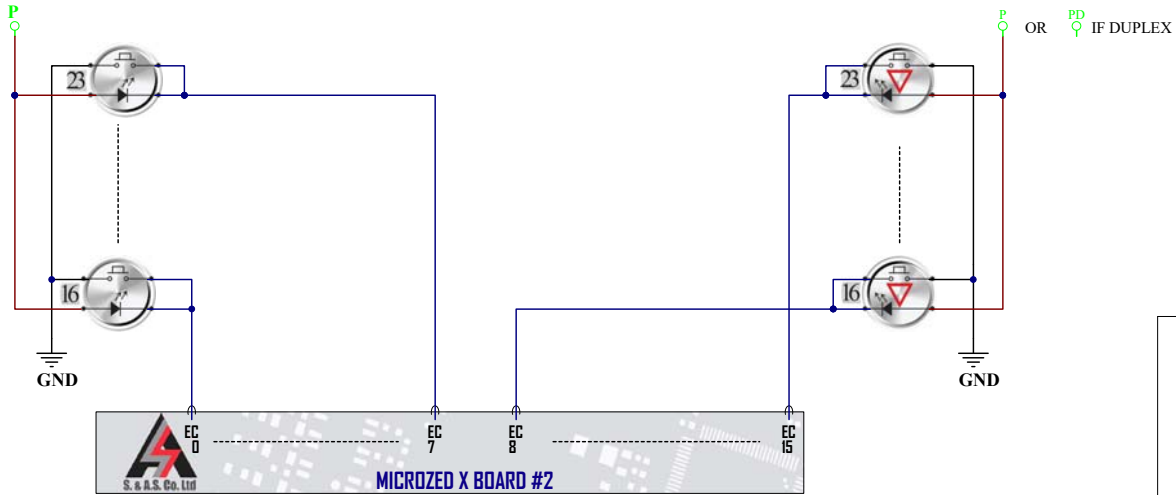
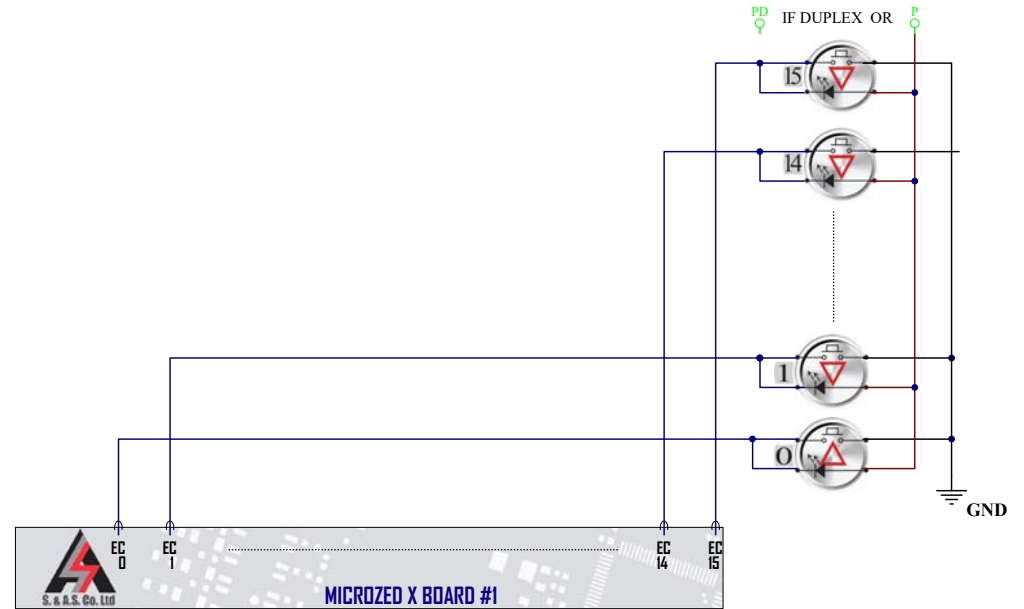
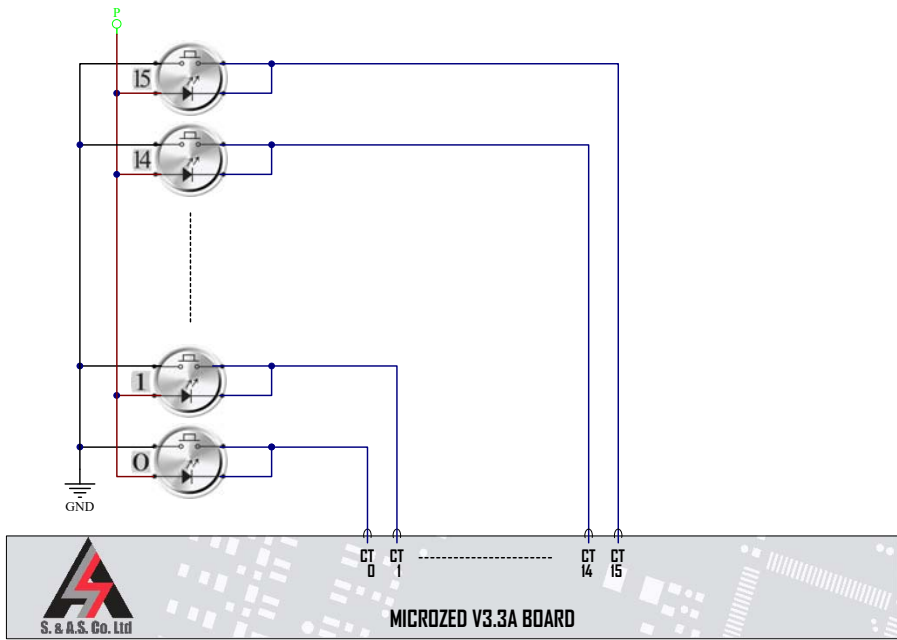
Size B	FCSM No. -	DWG No. A330HYDV1W7_CALLS-Full11_With1Ext.Sch	Rev 1
Scale -	Sheet		7 of 10



S.&A.S. Ltd.
 Jieh Chouf
 Lebanon
support@sascontrollers.com

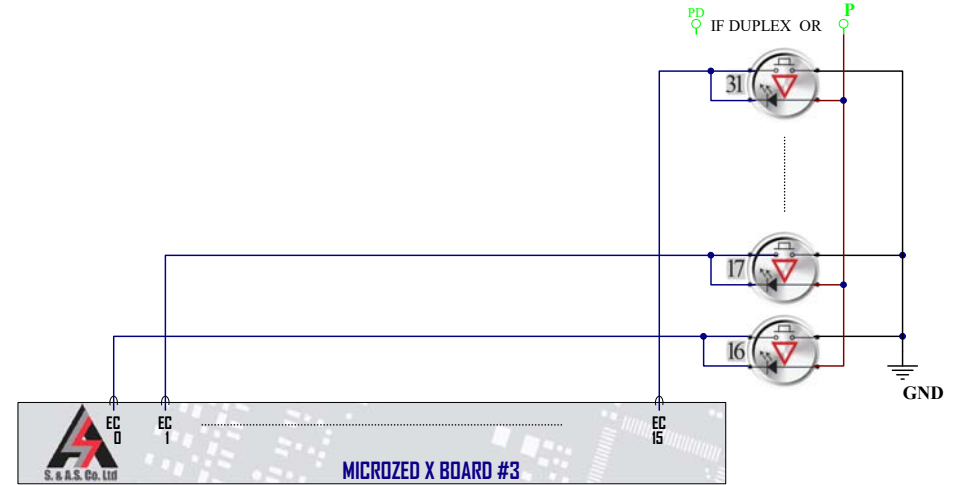
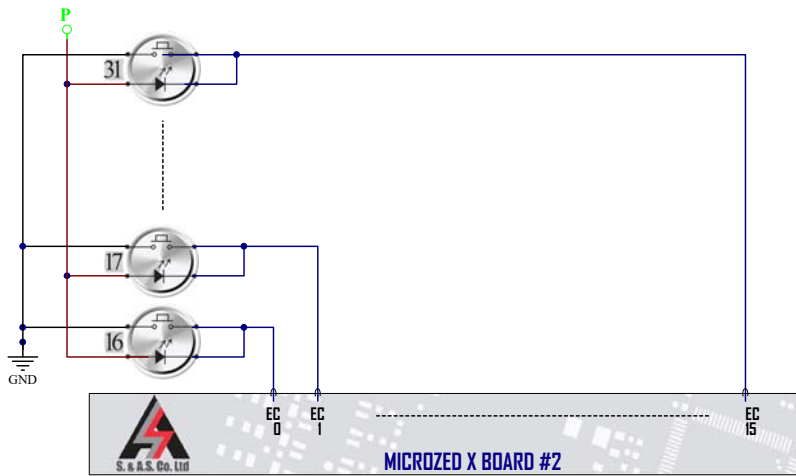
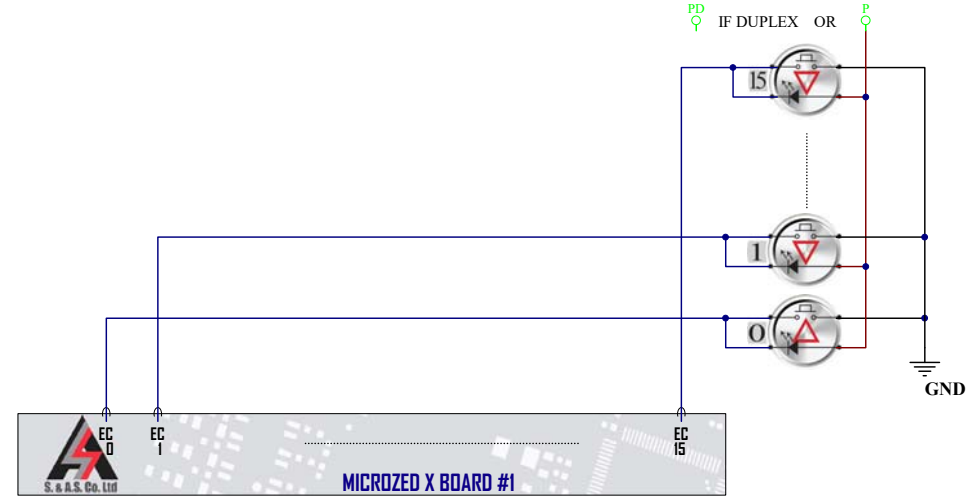
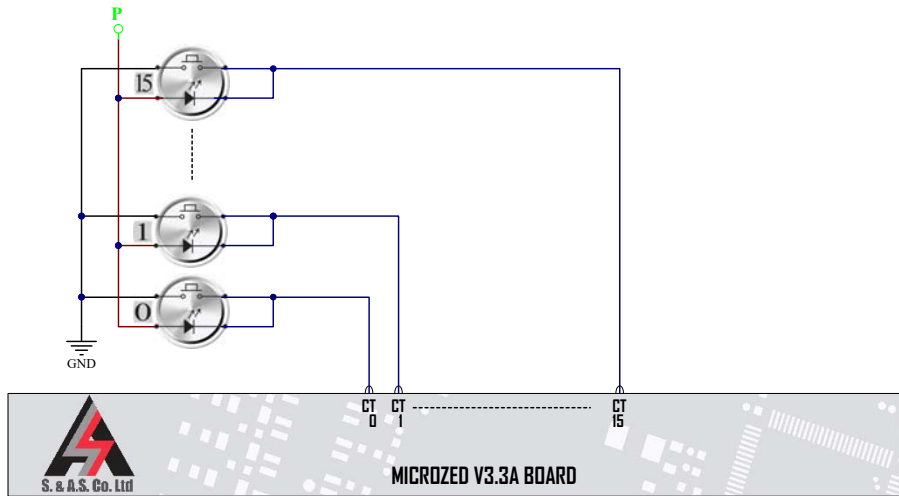
MICROZED V3.3A WIRING DIAG: CALLS WITH 1 EXTENSION DOWN COLLECTIVE - 16 STOPS

Size B	FCSM No. -	DWG No. A330HYDV1W8_CALLS-Dn16_With1Ext.Sch	Rev 1
Scale -	Sheet		8 of 10



S.&A.S. Ltd.
 Jieh Chouf
 Lebanon
 support@sascontrollers.com
**MICROZED V3.3A WIRING DIAG: CALLS WITH 2 EXTENSIONS
 DOWN COLLECTIVE- 16 STOPS**

Size B	FCSM No. -	DWG No. A330HYDV1W9_CALLS-Dn16_With2Ext.Sch	Rev 1
Scale -	Sheet 9 of 10		



S.&A.S. Ltd.
 Jieh Chouf
 Lebanon
support@sascontrollers.com
**MICROZED V3.3A WIRING DIAG: CALLS WITH 3 EXTENSIONS
 DOWN COLLECTIVE- 16 STOPS**

Size B	FCSM No. -	DWG No. A330HYDV1W10_CALLS-Dn16_With3Ext_Sch	Rev 1
Scale -	Sheet 10 of 10		