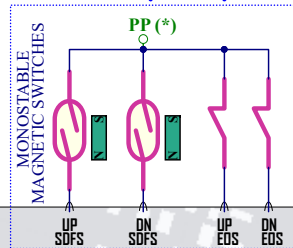
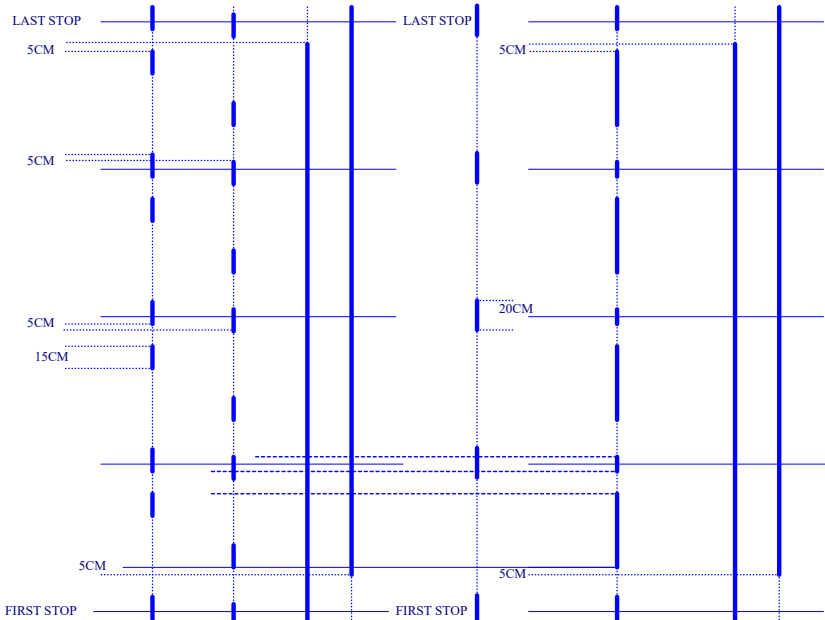


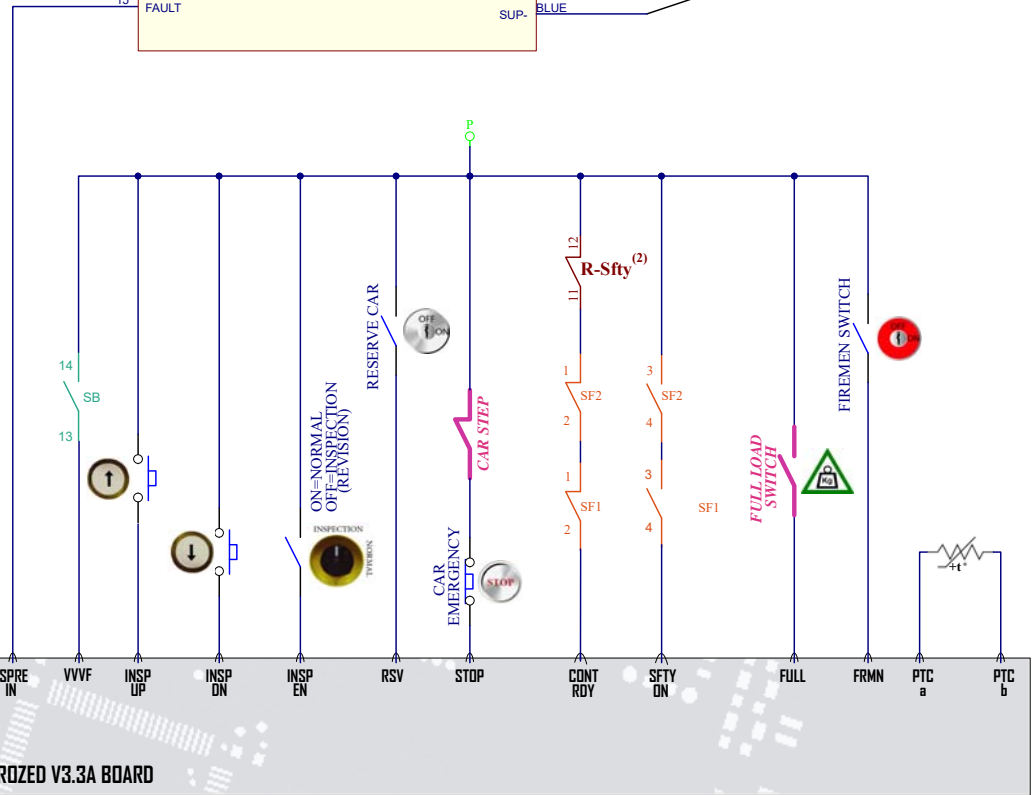
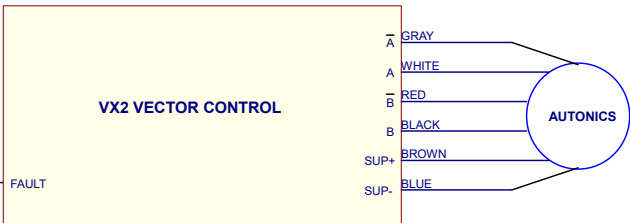
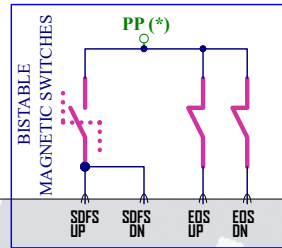
Note:
 (*) FW V3.00.F and later

S.&A.S. Ltd.
 Jieh Chouf
 Lebanon
 support@sascontrollers.com
MICROZED V3.3A WIRING DIAG: VVVF VX2 - SUPPLY & OUTPUTS

Size B	FCSM No.	DWG No.	Rev
		A330VX2V1W1_SUPPLY.Sch	1
Scale		Sheet	1 of 10



PP(*)



MICROZED V3.3A BOARD

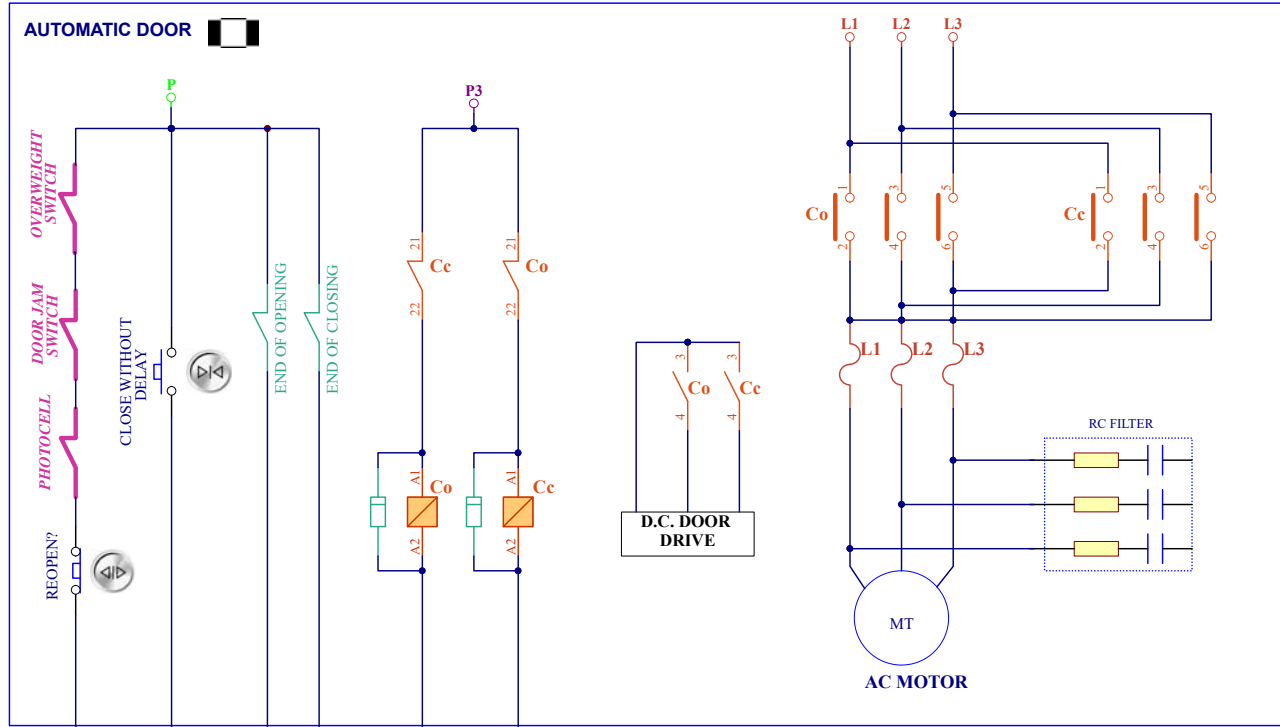
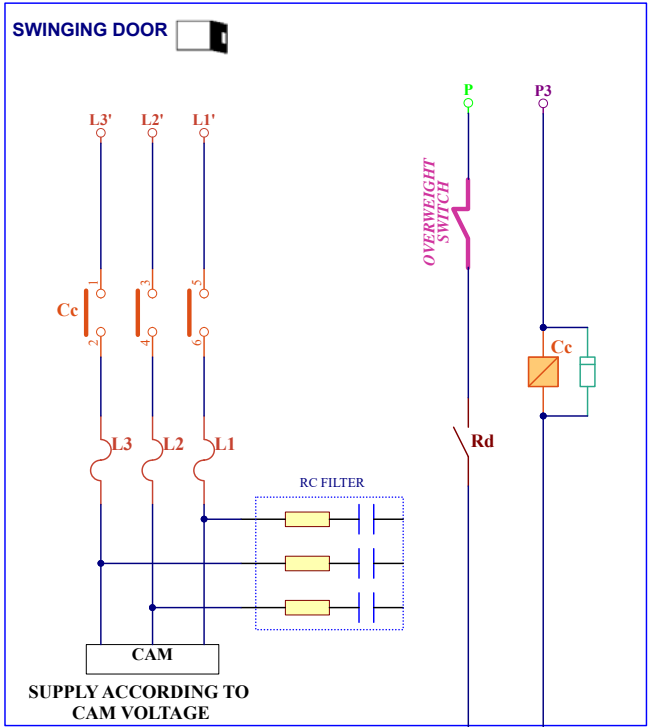

Note:

- (1) DZ is recommended for Automatic door.
- (*) "PP" ONLY FOR MAGNETIC SWITCHES.
- (2) FW V3.00.F and later

S.&A.S. Ltd.
Jieh Chouf
Lebanon
support@sascontrollers.com

MICROZED V3.3A WIRING DIAG: VVVF VX2 - INPUTS

Size B	FCSM No.	DWG No.	Rev
		A330VX2V1W2_INPUS.Sch	1
Scale		Sheet	2 of 10

MICROZED V3.3A BOARD

RE OPN CLSE CAM RE OPN CLSE NOLY LS ED LS EC OPN CLSE CAM

S.&A.S. Ltd.
 Jieh Chouf
 Lebanon
support@sascontrollers.com
MICROZED V3.3A WIRING DIAG: DOOR INFO
DC Contactors

Size B	FCSM No. -	DWG No. A330VX2V1W3_DOOR.Sch	Rev 1
Scale -	Sheet		3 of 10

1 2 3 4 5 6

A

B

C

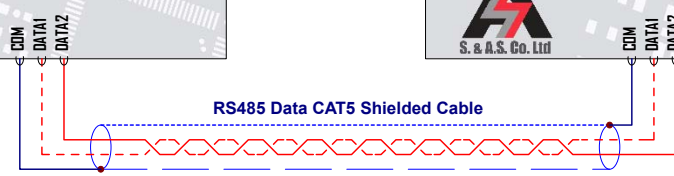
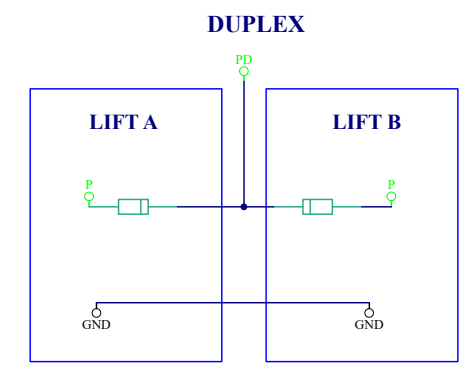
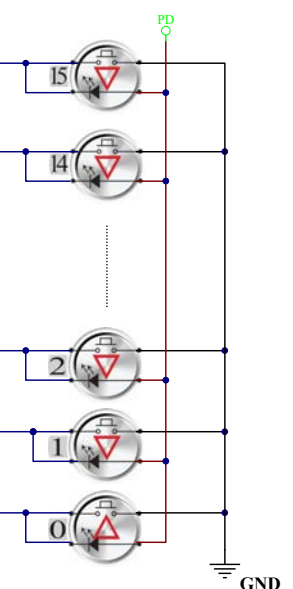
D

A

B

C

D



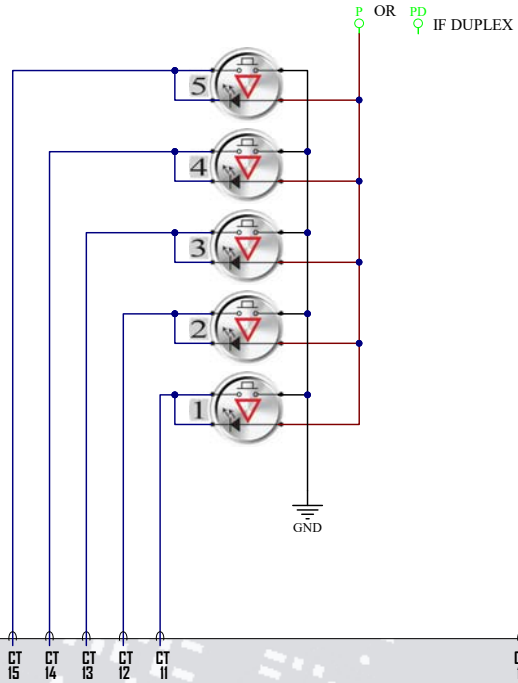
S.&A.S. Ltd.
 Jieh Chouf
 Lebanon
 support@sascontrollers.com

MICROZED V3.3A WIRING DIAG: **LANDING CALLS FOR DUPLEX ON EXTENSION**

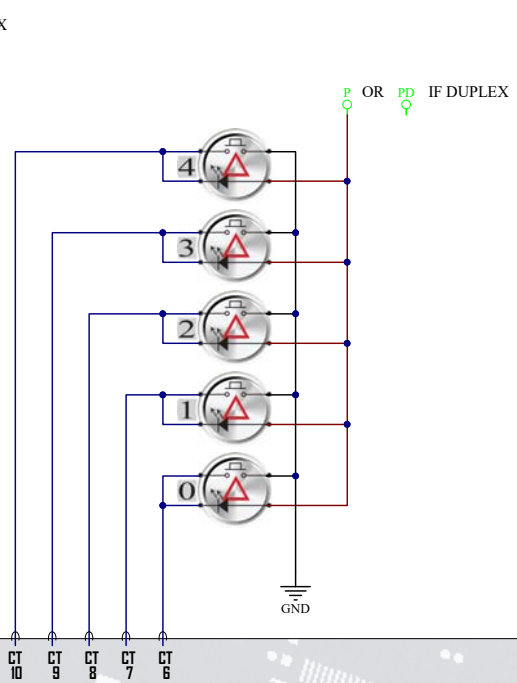
Size B	FCSM No. -	DWG No. A330VX2V1W4_CALLS-Duplex.Sch	Rev 1
Scale -	Sheet		4 of 10

1 2 3 4 5 6

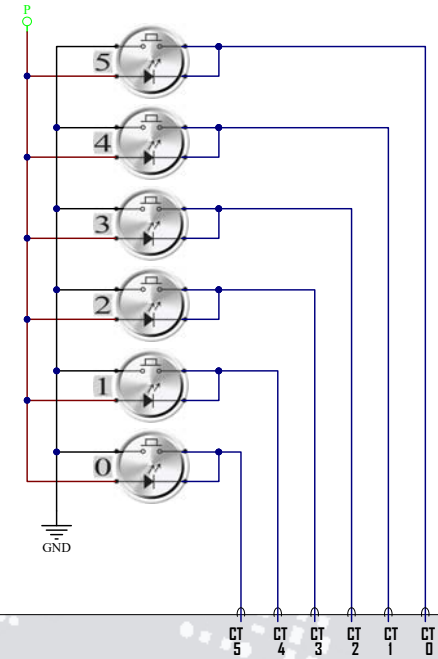
LAND CALLS DOWN



LAND CALLS UP



CAR CALLS





S. & A.S. Co. Ltd

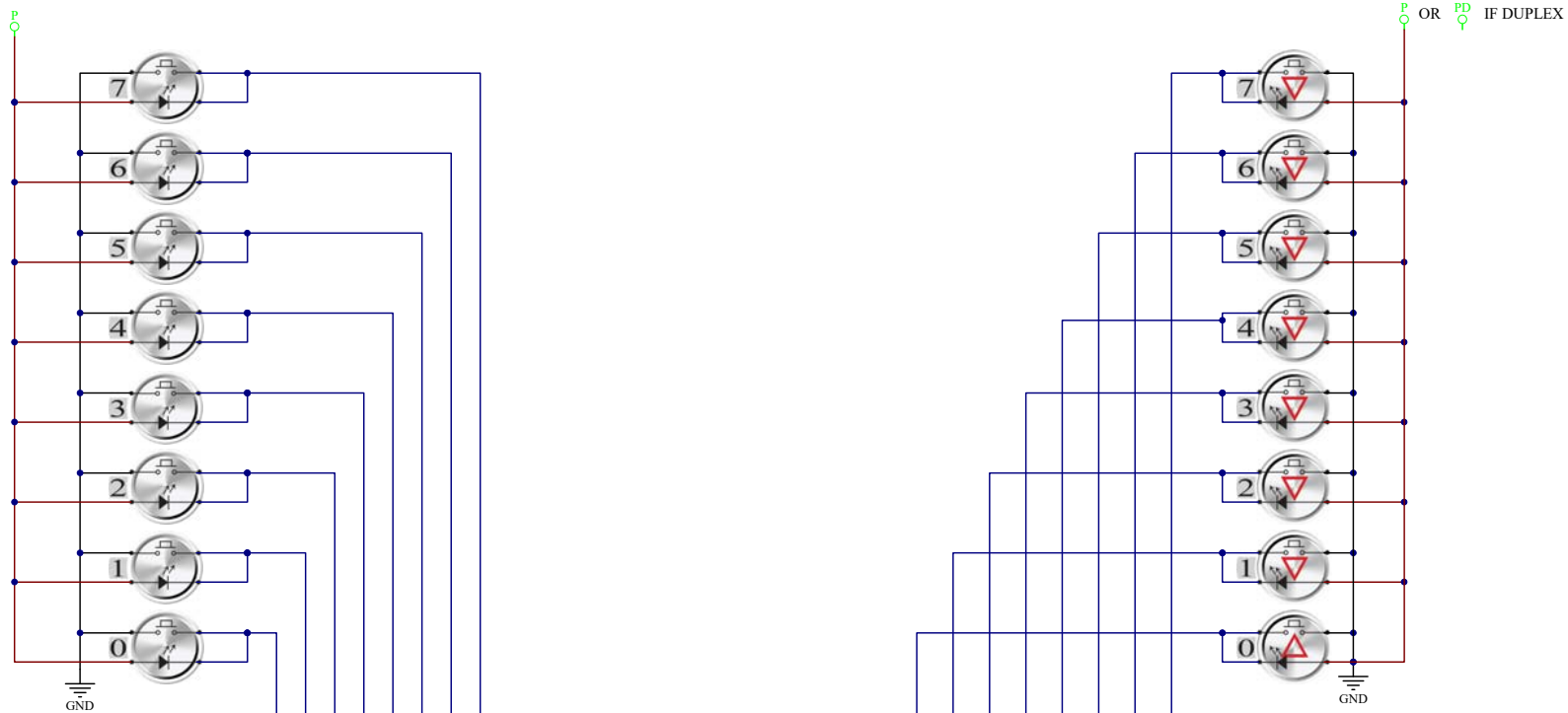
MICROZED V3.3A BOARD

S.&A.S. Ltd.
 Jieh Chouf
 Lebanon
 support@sascontrollers.com
**MICROZED V3.3A WIRING DIAG: CALLS W/O EXTENSION
 FULL COLLECTIVE - 6 STOPS**

Size B	FCSM No. -	DWG No. A330VX2V1W5_CALLS-Full6.Sch	Rev 1
Scale -	Sheet		5 of 10

CAR CALLS

LAND CALLS DOWN

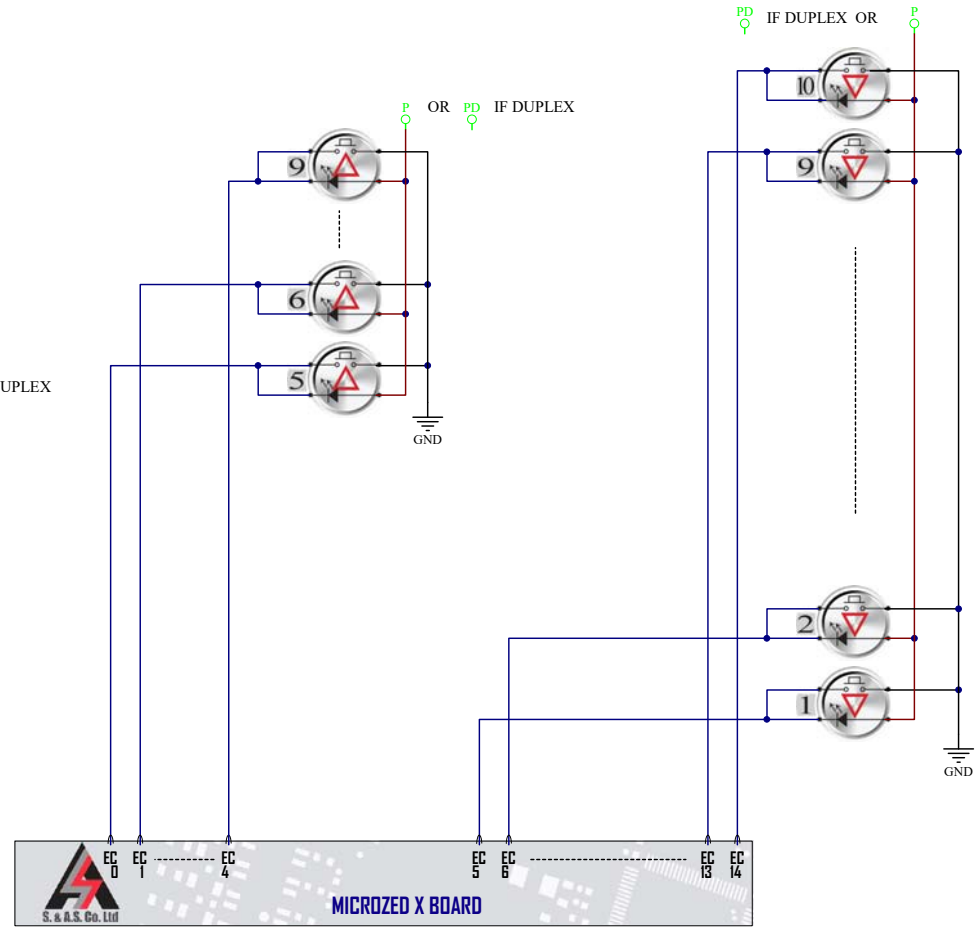
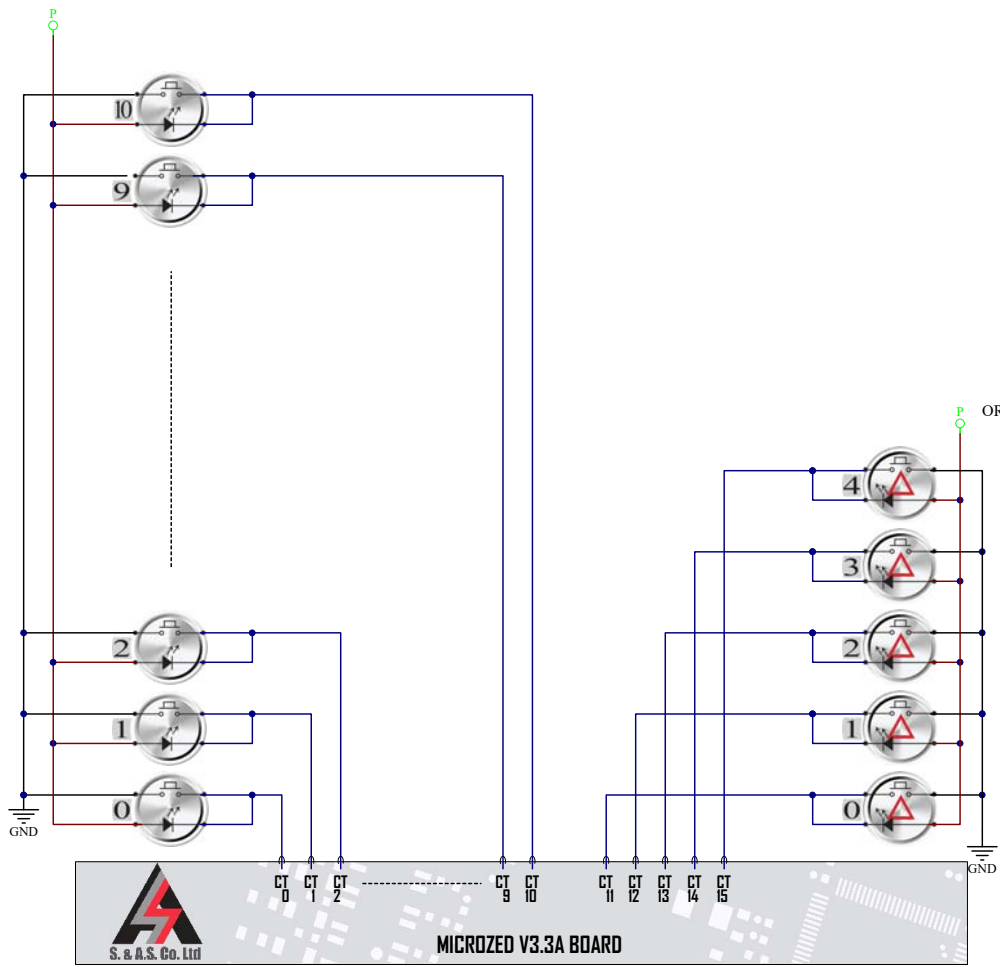


MICROZED V3.3A BOARD

S.&A.S. Ltd.
 Jieh Chouf
 Lebanon
 support@sascontrollers.com

**MICROZED V3.3A WIRING DIAG: CALLS W/O EXTENSION
 DOWN COLLECTIVE - 8 STOPS**

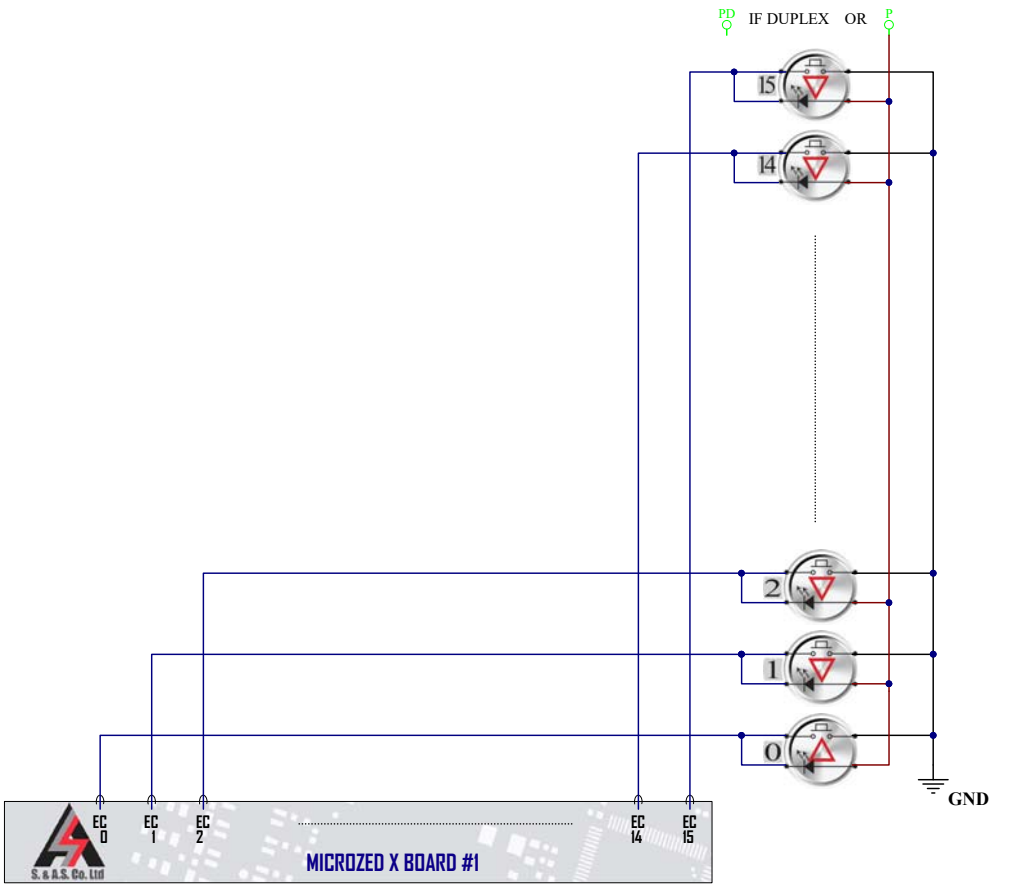
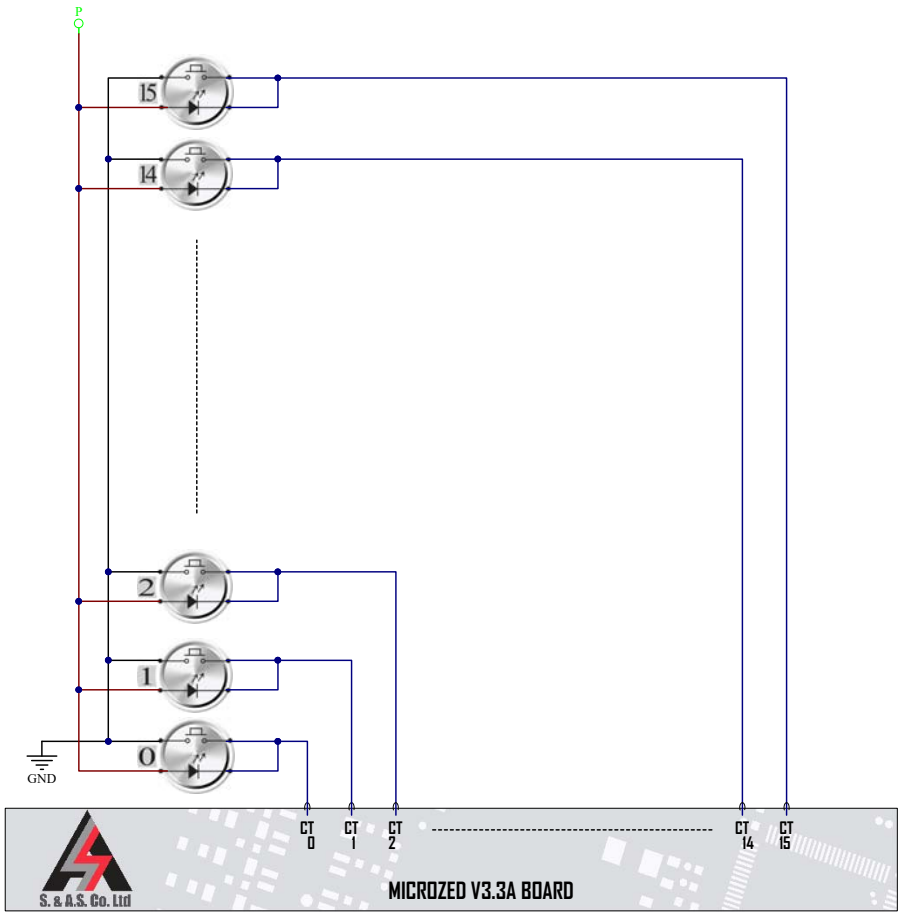
Size B	FCSM No. -	DWG No. A330VX2V1W6_CALLS-Dn8.Sch	Rev 1
Scale -	Sheet 6 of 10		



S.&A.S. Ltd.
 Jieh Chouf
 Lebanon
support@sascontrollers.com

MICROZED V3.3A WIRING DIAG: CALLS WITH 1 EXTENSION FULL COLLECTIVE - 11 STOPS

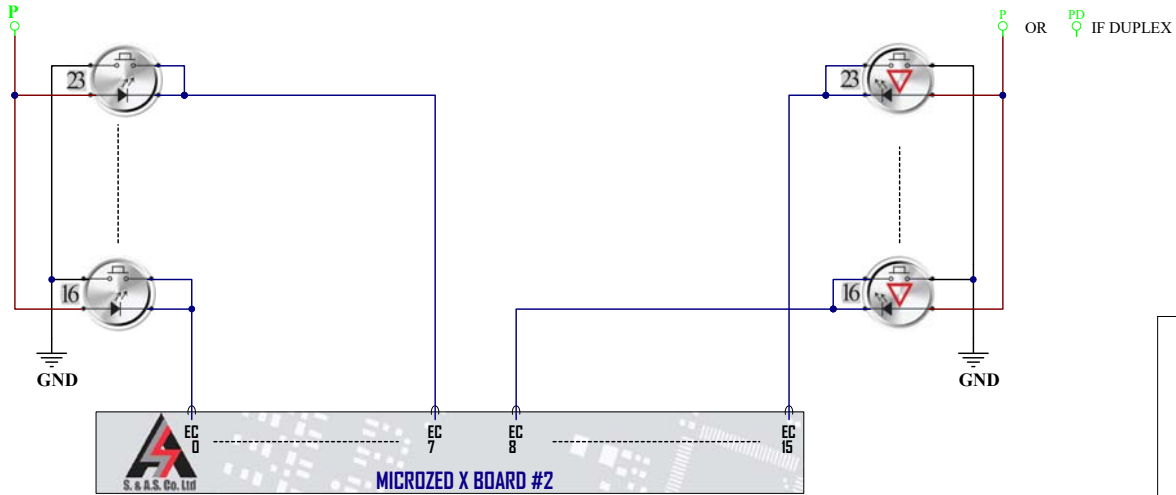
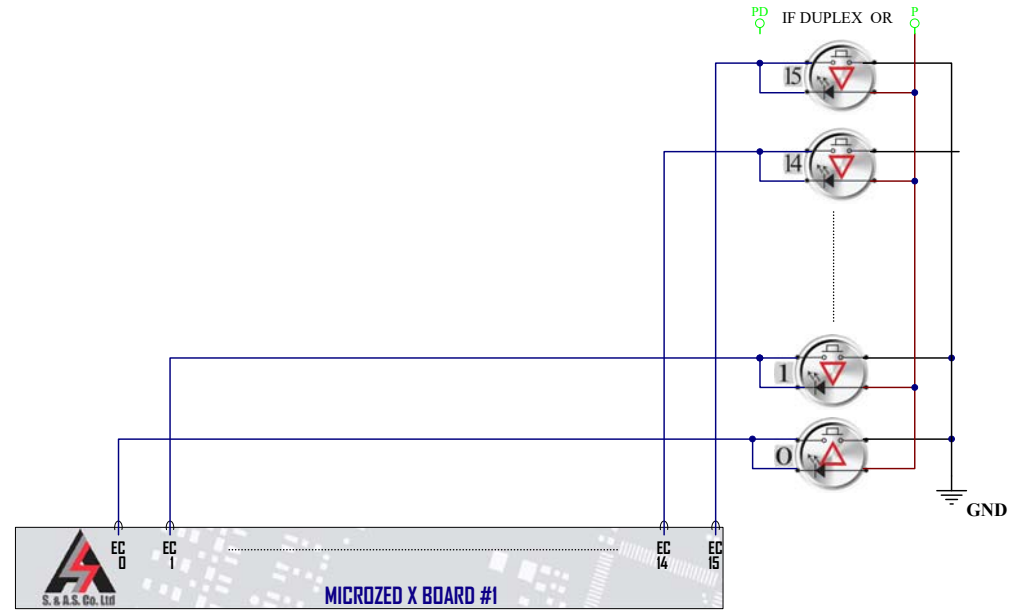
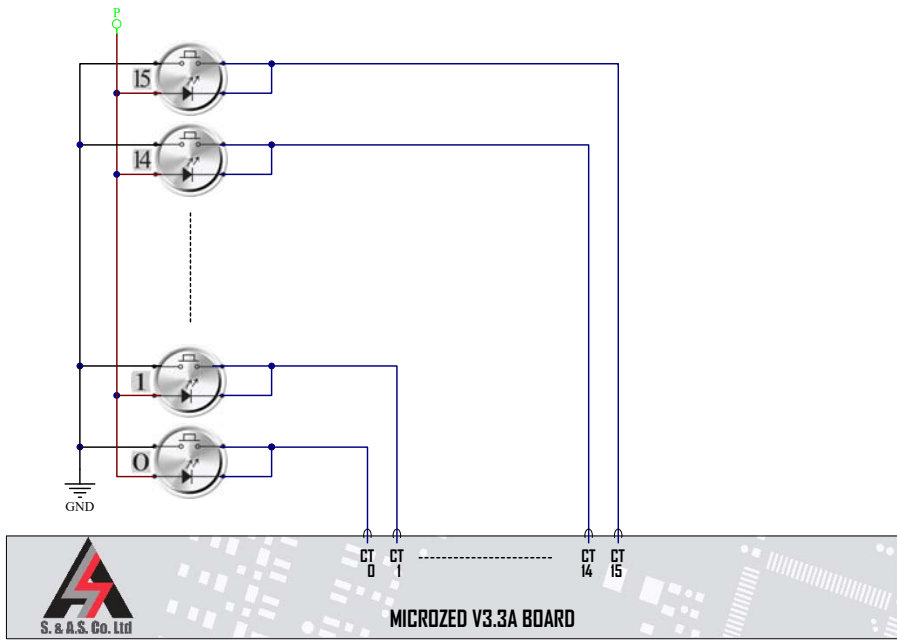
Size B	FCSM No. -	DWG No. A330VX2V1W7_CALLS-Full11_With1Ext.Sch	Rev 1
Scale -	Sheet 7 of 10		



S.&A.S. Ltd.
 Jieh Chouf
 Lebanon
 support@sascontrollers.com

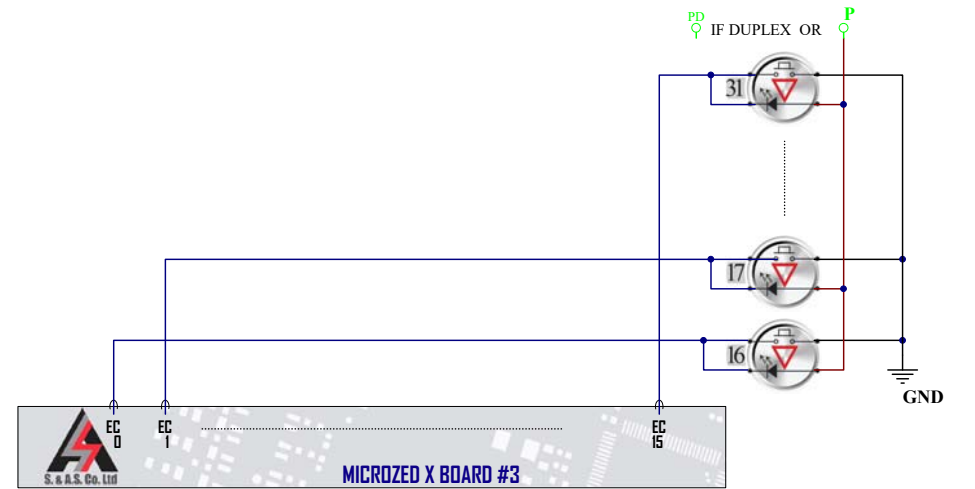
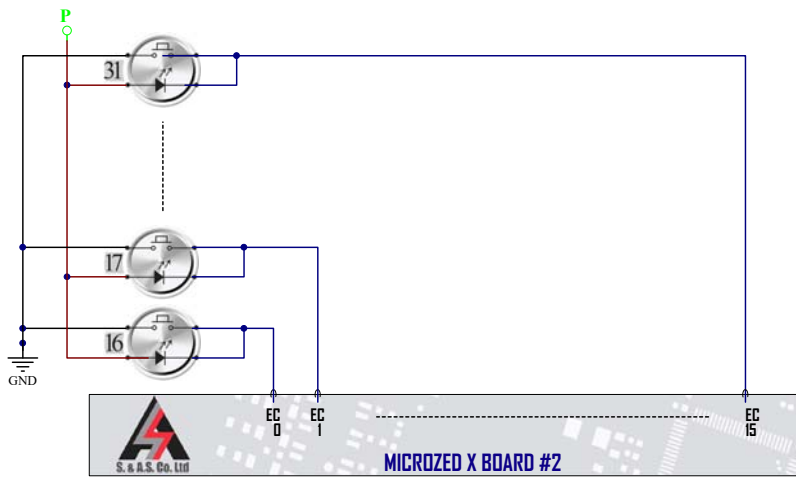
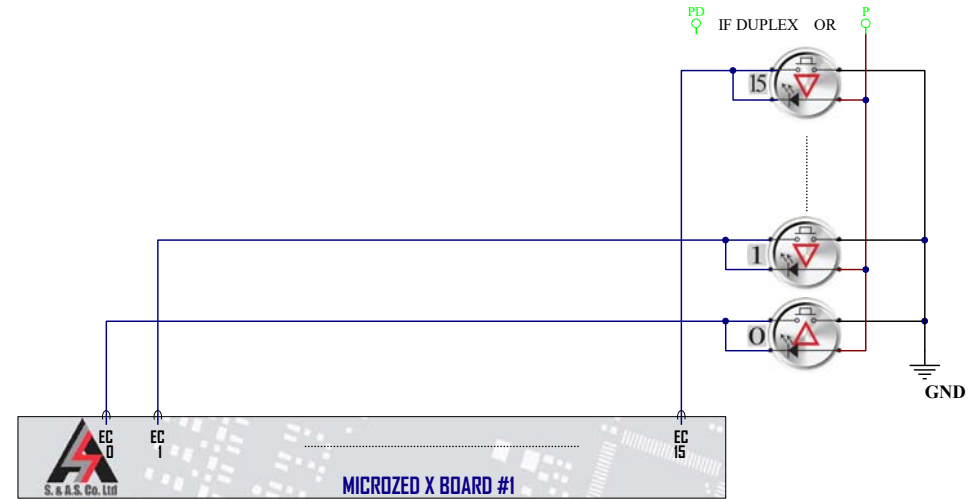
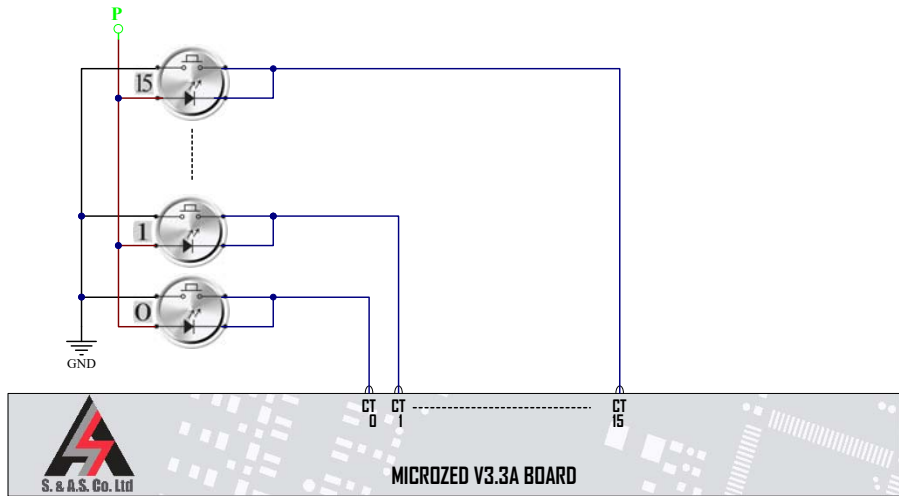
MICROZED V3.3A WIRING DIAG: CALLS WITH 1 EXTENSION DOWN COLLECTIVE - 16 STOPS

Size B	FCSM No. -	DWG No. A330VX2V1W8_CALLS-Dn16_With1Ext.Sch	Rev 1
Scale -	Sheet		8 of 10



S.&A.S. Ltd.
 Jieh Chouf
 Lebanon
 support@sascontrollers.com
**MICROZED V3.3A WIRING DIAG: CALLS WITH 2 EXTENSIONS
 DOWN COLLECTIVE- 16 STOPS**

Size B	FCSM No. -	DWG No. A330VX2V1W9_CALLS-Dn16_With2Ext.Sch	Rev 1
Scale -	Sheet 9 of 10		



S.&A.S. Ltd.
 Jieh Chouf
 Lebanon
support@sascontrollers.com
**MICROZED V3.3A WIRING DIAG: CALLS WITH 3 EXTENSIONS
 DOWN COLLECTIVE- 16 STOPS**

Size B	FCSM No. -	DWG No. A330VX2V1W10_CALLS-Dn16_With3Ext.Sch	Rev 1
Scale -	Sheet 10 of 10		