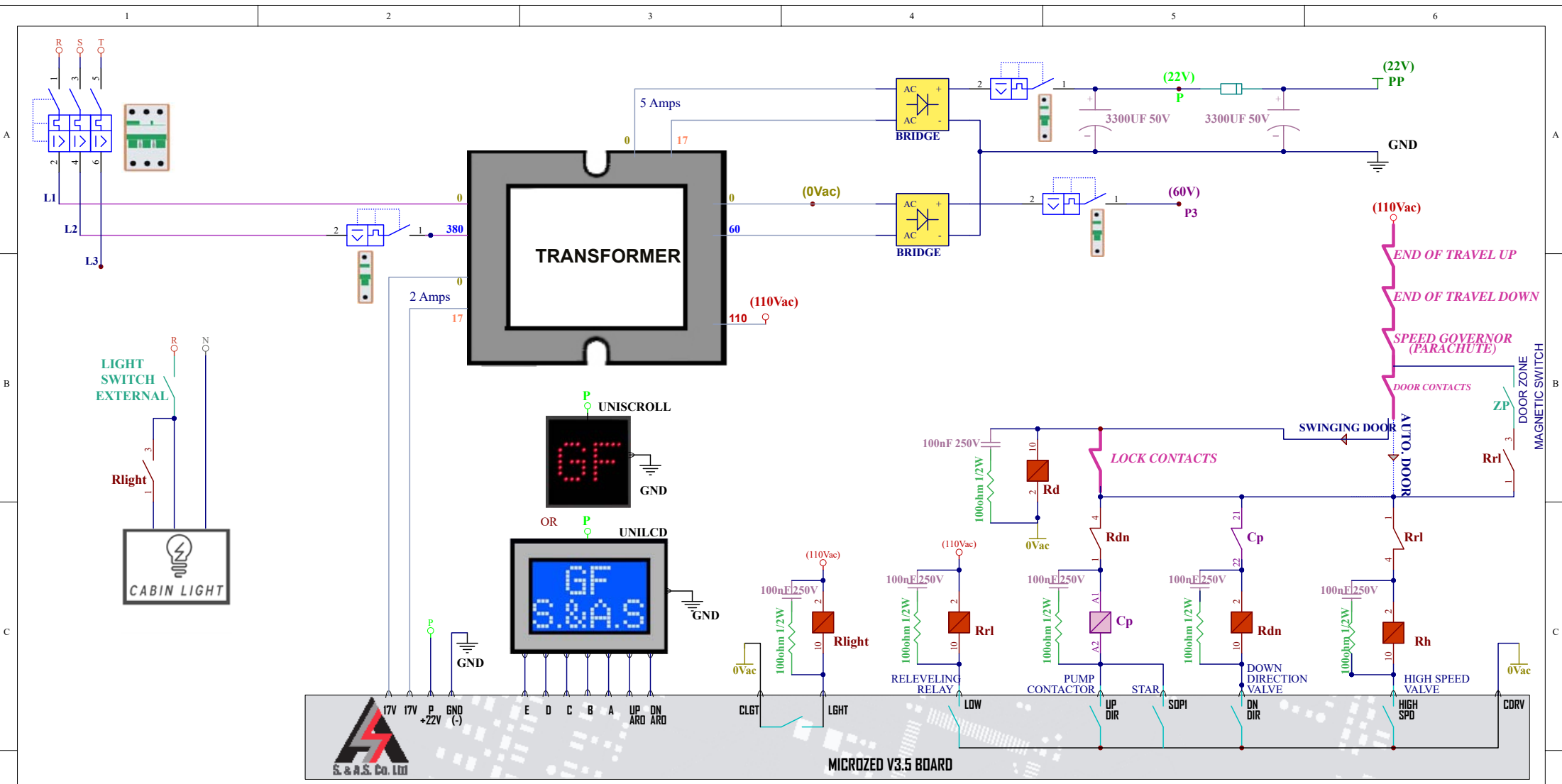


S.&A.S. Ltd.
 Jieh Chouf
 Lebanon
 support@sascontrollers.com
 MICROZED V3.5 HYDRAULIC WIRING DIAG: **SUPPLY & OUTPUTS**

DC Contactors

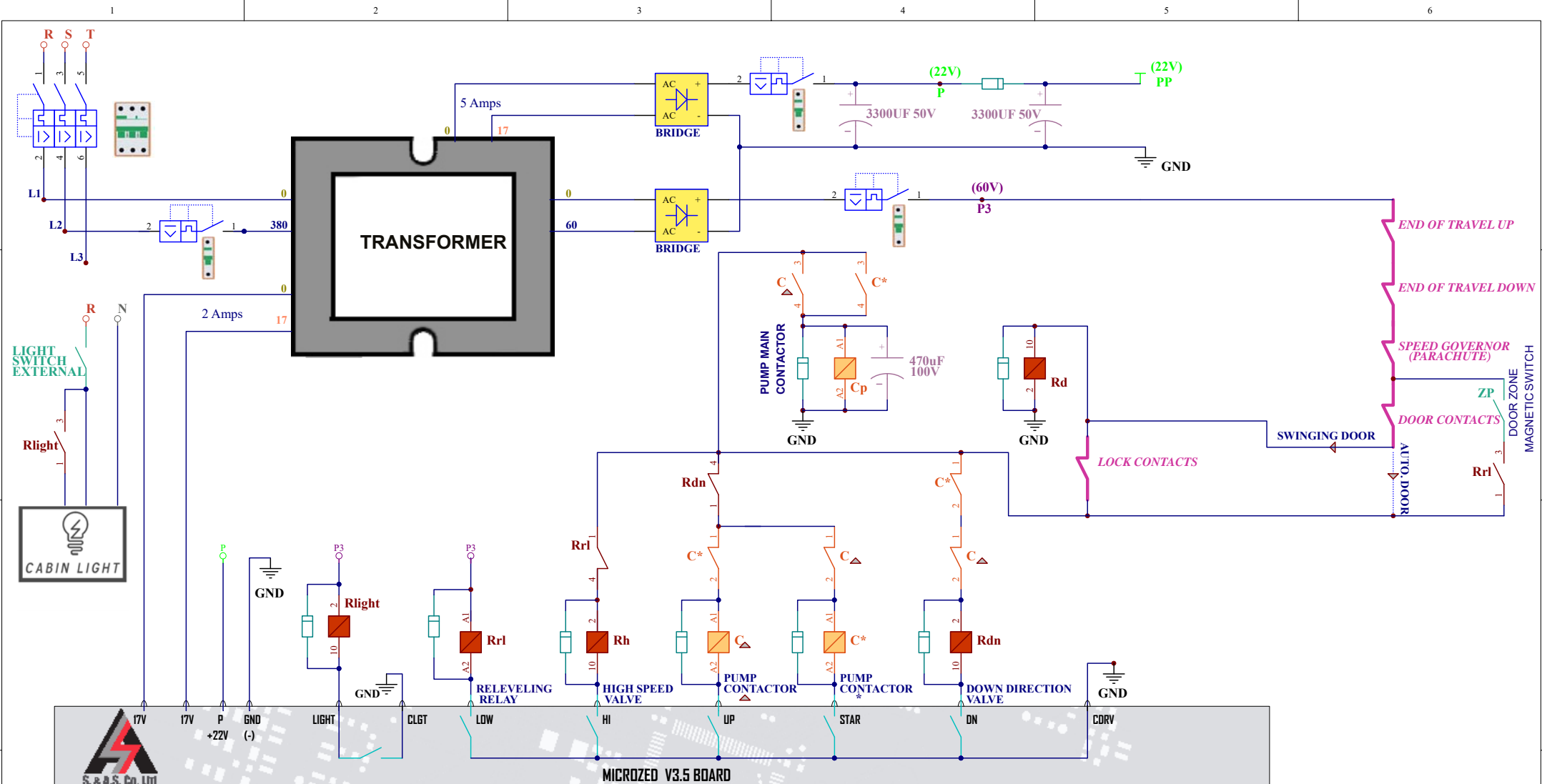
Size B	FCSM No. -	DWG No. A350HYDV1W1_Supply_ContDC.Sch	Rev 1
Scale -	Sheet		1 of 16



S.&A.S. Ltd.
 Jieh Chouf
 Lebanon
 support@sascontrollers.com
MICROZED V3.5 HYDRAULIC WIRING DIAG: SUPPLY & OUTPUTS

AC Contactors

Size B	FCSM No. -	DWG No. A350HYDV1W2_Supply_ContAC.Sch	Rev 1
Scale -	Sheet 2 of 16		

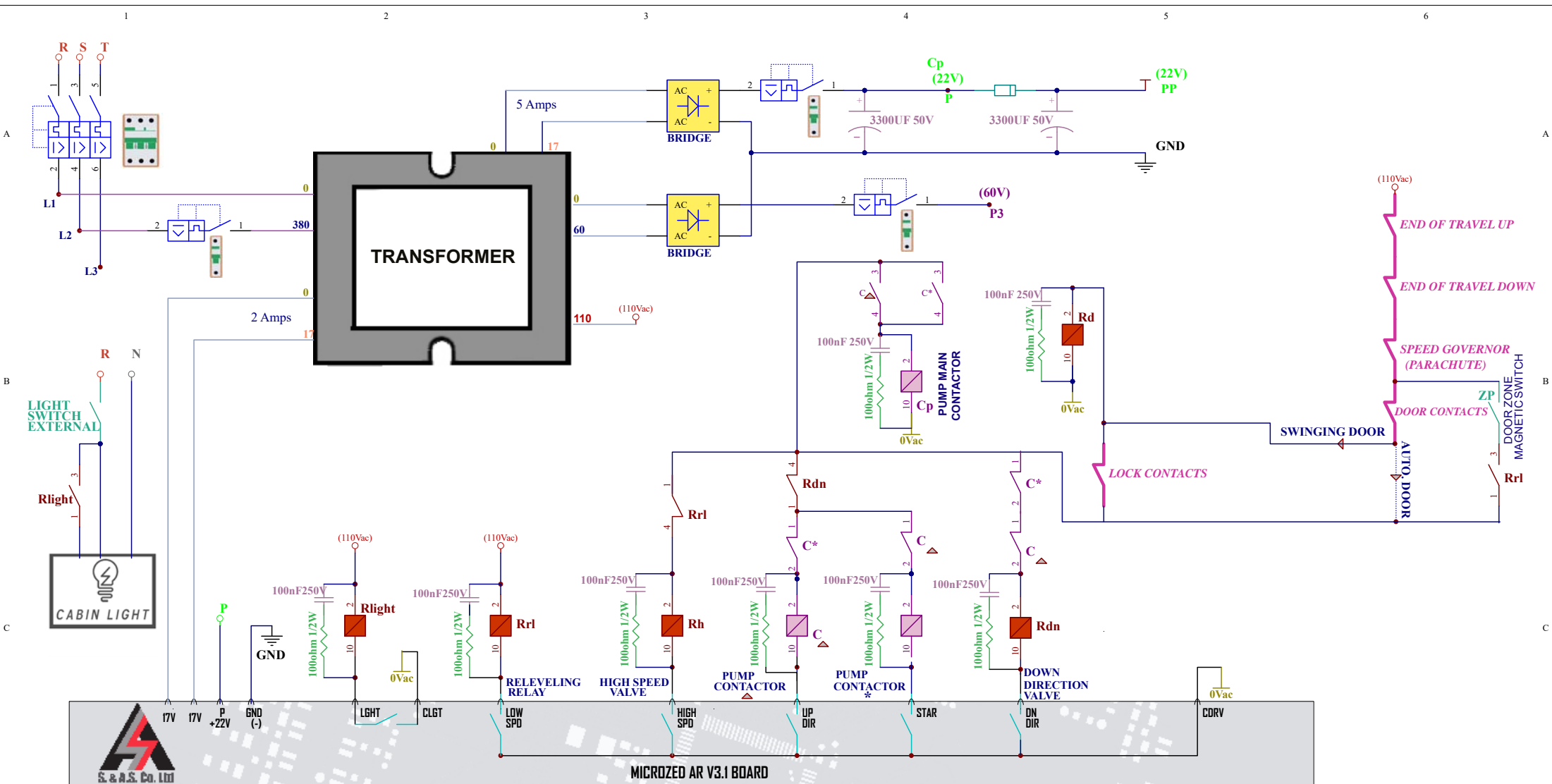


S.&A.S. Ltd.
 Jieh Chouf
 Lebanon
 support@sascontrollers.com

MICROZED V3.5 HYDRAULIC WIRING DIAG: SUPPLY & OUTPUTS - HYDRAULIC STAR/DELTA

DC Contactors

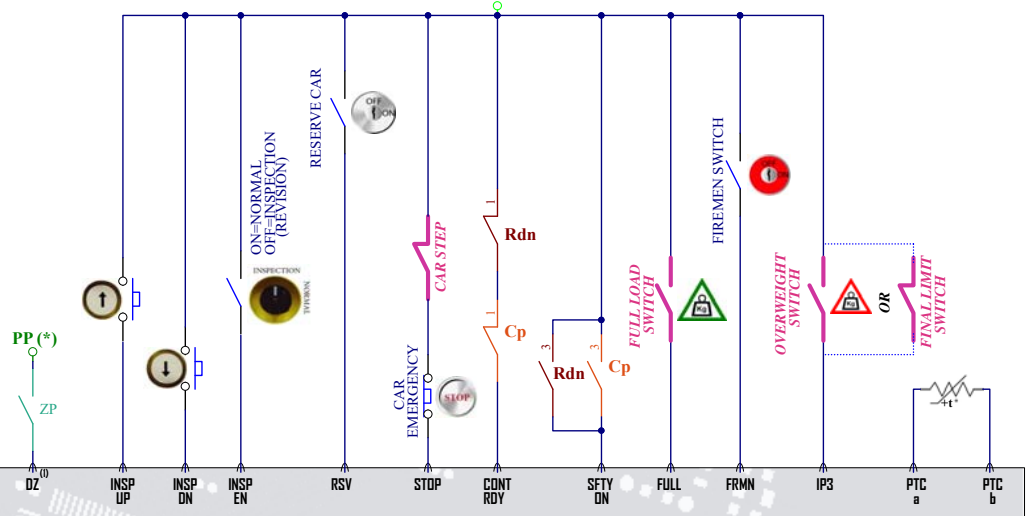
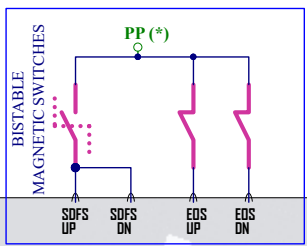
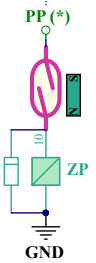
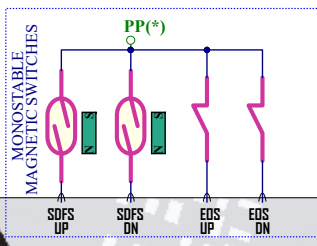
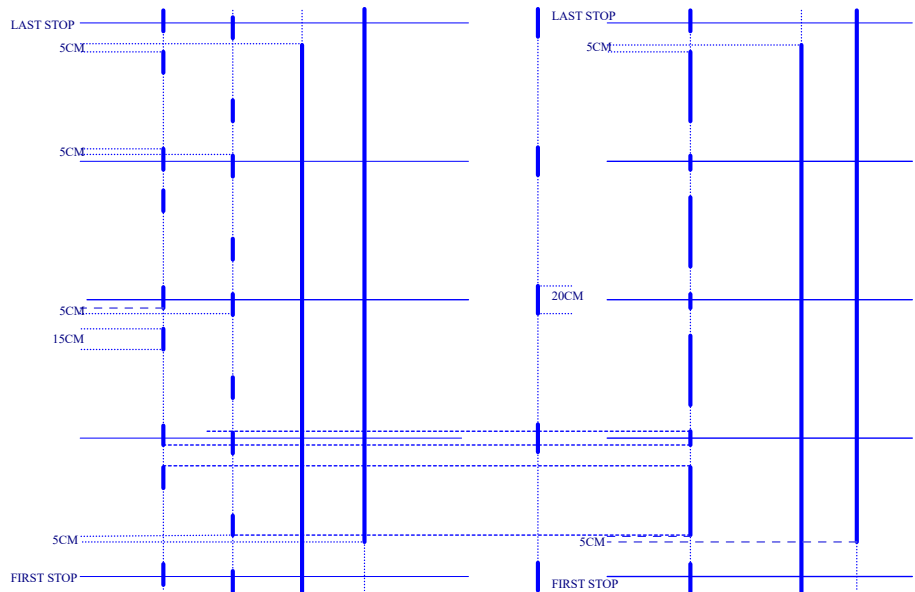
Size B	FCSM No.	DWG No. A350HYDV1W3_Supply_STAR-DELTA_ContDC.Sch	Rev 1
Scale		Sheet	3 of 16



S.&A.S. Ltd.
 Jieh Chouf
 Lebanon
 support@sascontrollers.com

MICROZED V3.5 HYDRAULIC WIRING DIAG: SUPPLY & OUTPUTS - HYDRAULIC STAR/DELTA AC Contactors

Size B	FCSM No.	DWG No. A350HYDV1W4_Supply_STAR-DELTA_ContAC.Sch	Rev 1
Scale		Sheet	4 of 16



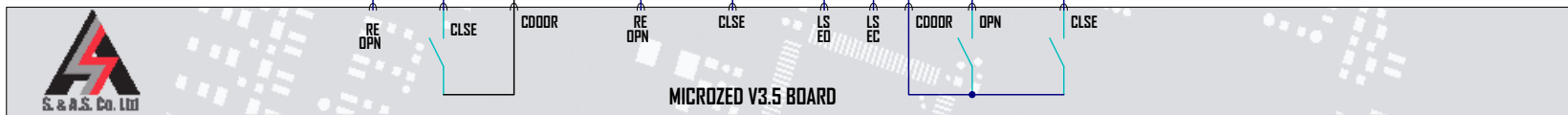
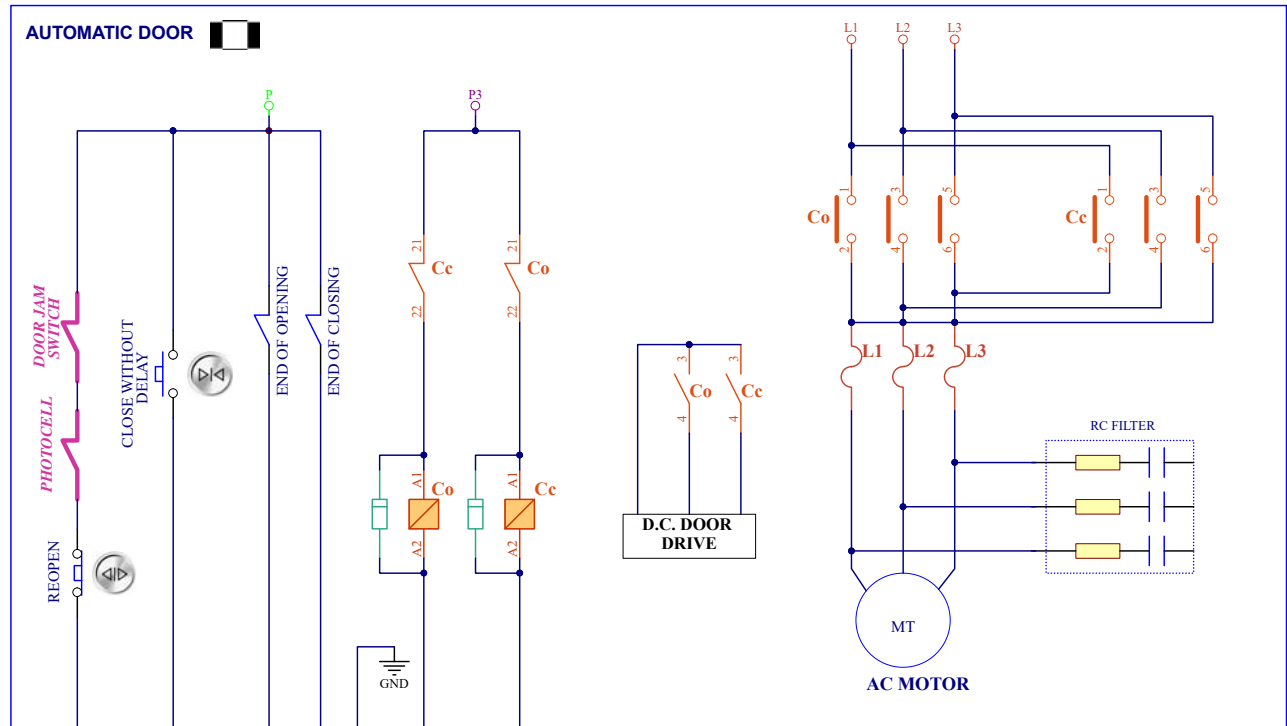
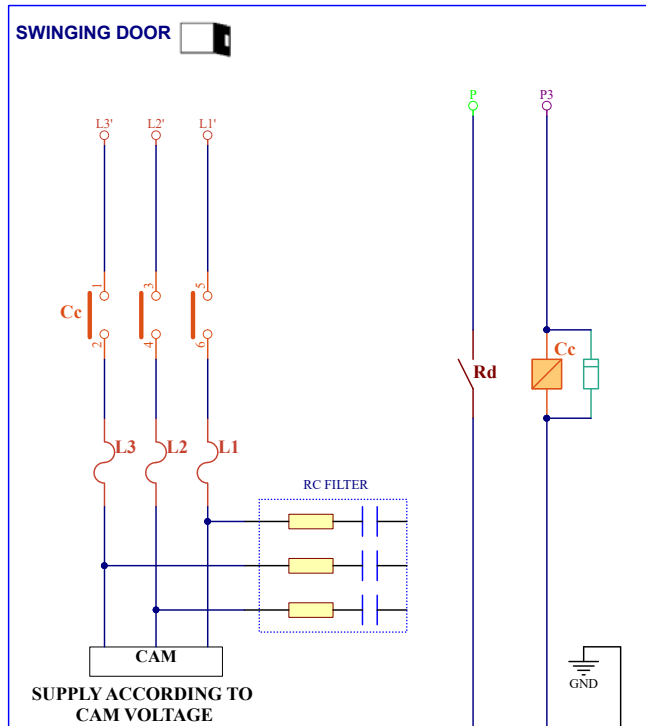
MICROZED V3.5 BOARD



Note:
 (1): DZ is recommended for automatic door.
 (2): FW V3.00.H and later
 (*): "PP" only for magnetic switches

S.&A.S. Ltd.
 Jieh Chouf
 Lebanon
 support@sascontrollers.com
MICROZED V3.5 HYDRAULIC WIRING DIAG: [INPUTS/DOOR INFO](#)

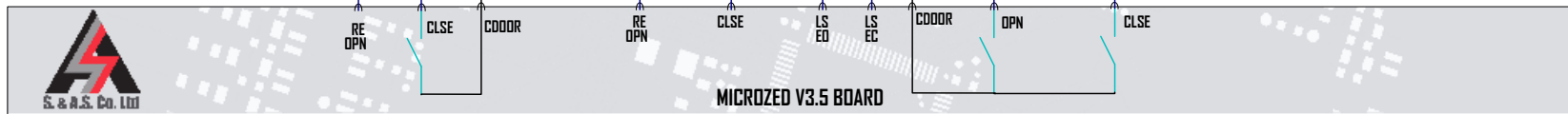
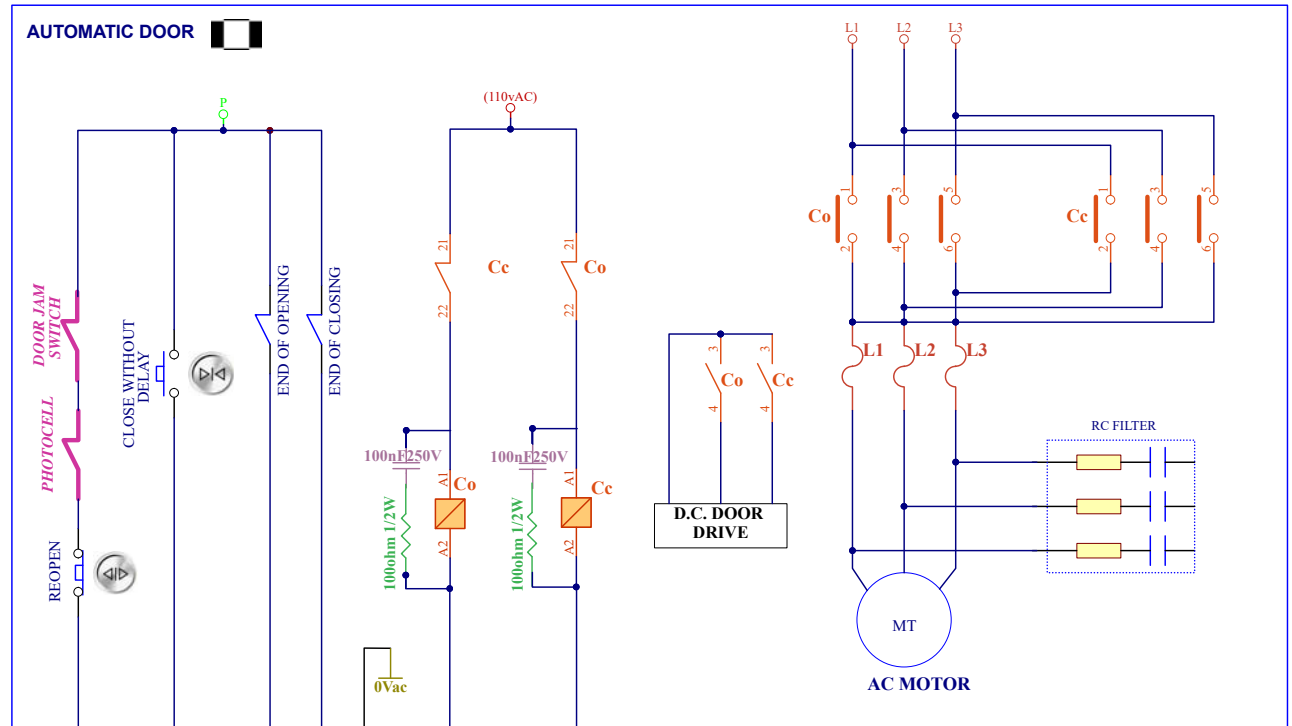
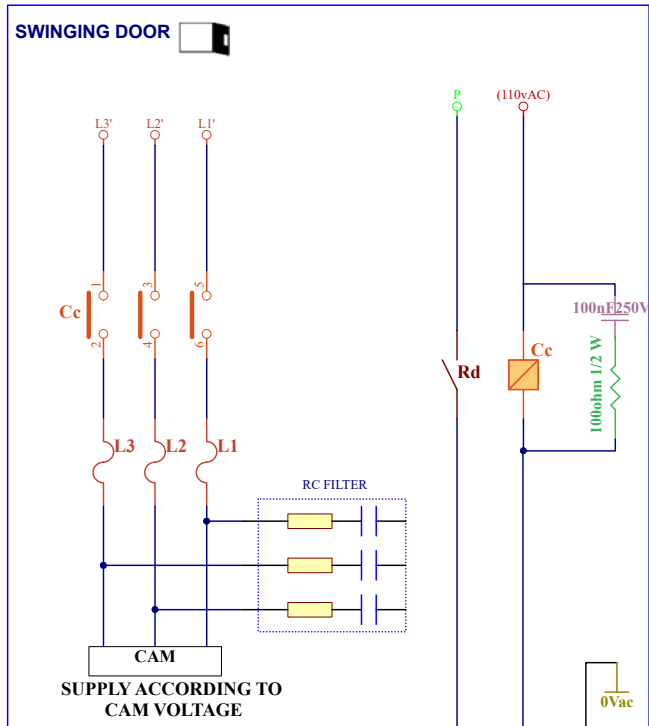
Size B	FCSM No.	DWG No. A350HYDV1W5_DOOR-INFO.Sch	Rev
Scale	Sheet		5 of 16



S.&A.S. Ltd.
 Jieh Chouf
 Lebanon
 support@sascontrollers.com

MICROZED V3.5 HYDRAULIC WIRING DIAG: DOOR INFO
DC Contactors

Size B	FCSM No. -	DWG No. A350HYDV1W6_Ips_ContDC.Sch	Rev 1
Scale -	Sheet		6 of 16



S.&A.S. Ltd.
 Jieh Chouf
 Lebanon
support@sascontrollers.com
MICROZED V3.5 HYDRAULIC WIRING DIAG: DOOR INFO
AC Contactors

Size B	FCSM No.	DWG No.	Rev
-	-	A350HYDV1W7_Ips_ContAC.Sch	1
Scale	-	Sheet	7 of 16

1 2 3 4 5 6

A

B

C

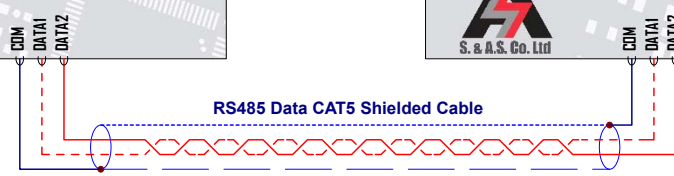
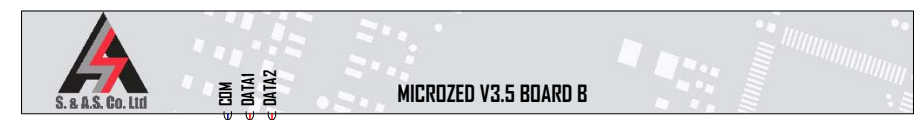
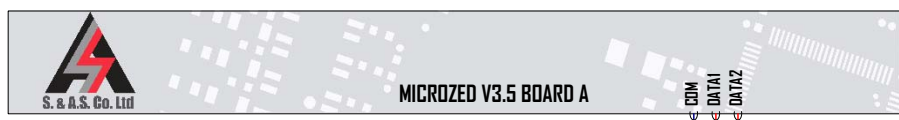
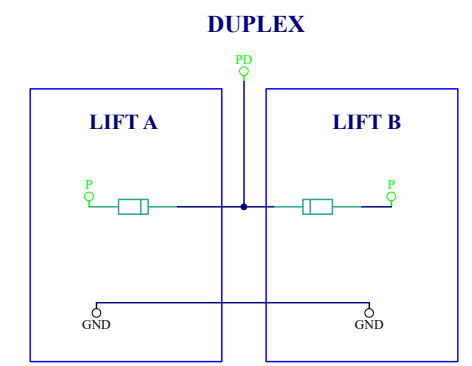
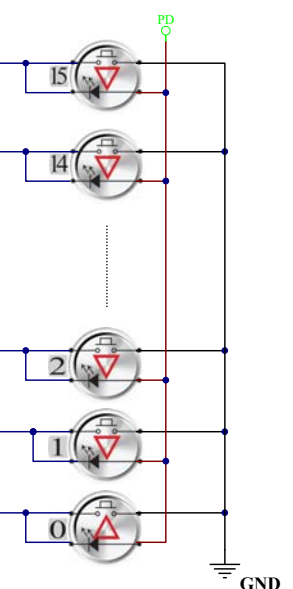
D

A

B

C

D



S.&A.S. Ltd.
 Jieh Chouf
 Lebanon
support@sascontrollers.com

MICROZED V3.5 HYDRAULIC WIRING DIAG: LANDING CALLS FOR DUPLEX ON EXTENSION

Size B	FCSM No. -	DWG No. A350HYDV1W8_CALLS-Duplex.Sch	Rev 1
Scale -	Sheet		8 of 16

1 2 3 4 5 6

LAND CALLS DOWN

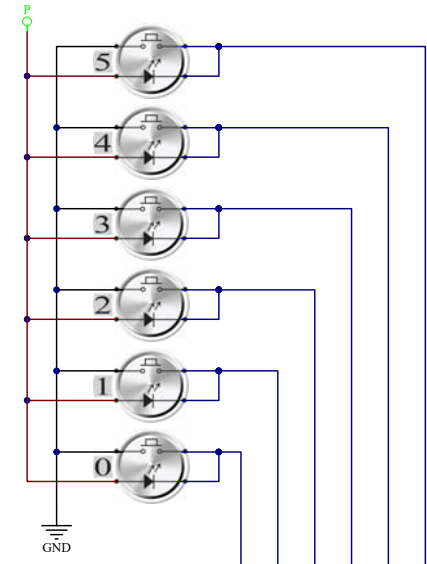
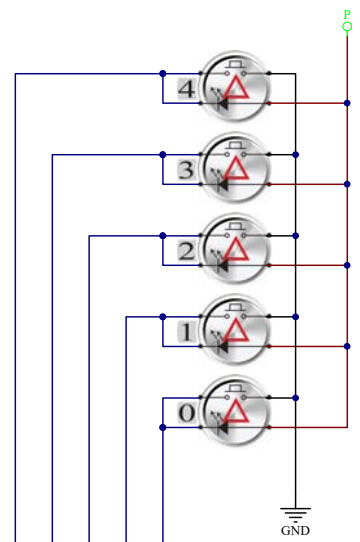
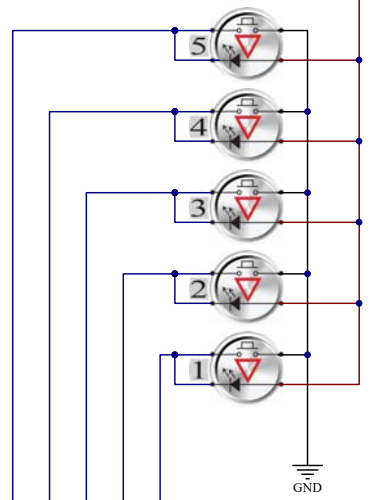
LAND CALLS UP

CAR CALLS

P OR PD IF DUPLEX

P OR PD IF DUPLEX

P





S. & A.S. Co. Ltd

CT 15 CT 14 CT 13 CT 12 CT 11

CT 10 CT 9 CT 8 CT 7 CT 6

CT 0 CT 1 CT 2 CT 3 CT 4 CT 5

MICROZED V3.5 BOARD

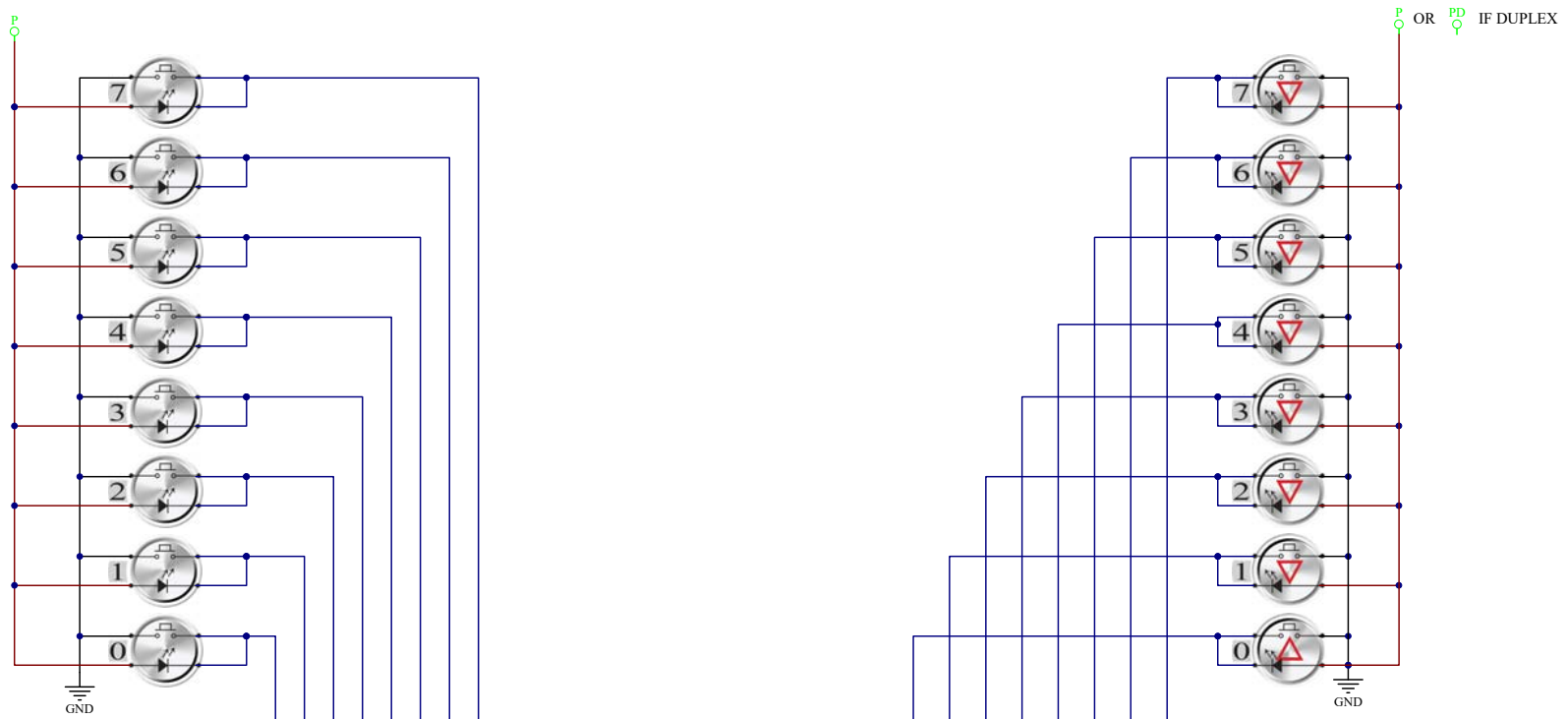
S.&A.S. Ltd.
 Jieh Chouf
 Lebanon
 support@sascontrollers.com

**MICROZED V3.5 HYDRAULIC WIRING DIAG: CALLS W/O EXTENSION
 FULL COLLECTIVE - 6 STOPS**

Size B	FCSM No. -	DWG No. A350HYDV1W9_CALLS-Full6.Sch	Rev 1
Scale -	Sheet		9 of 16

CAR CALLS

LAND CALLS DOWN



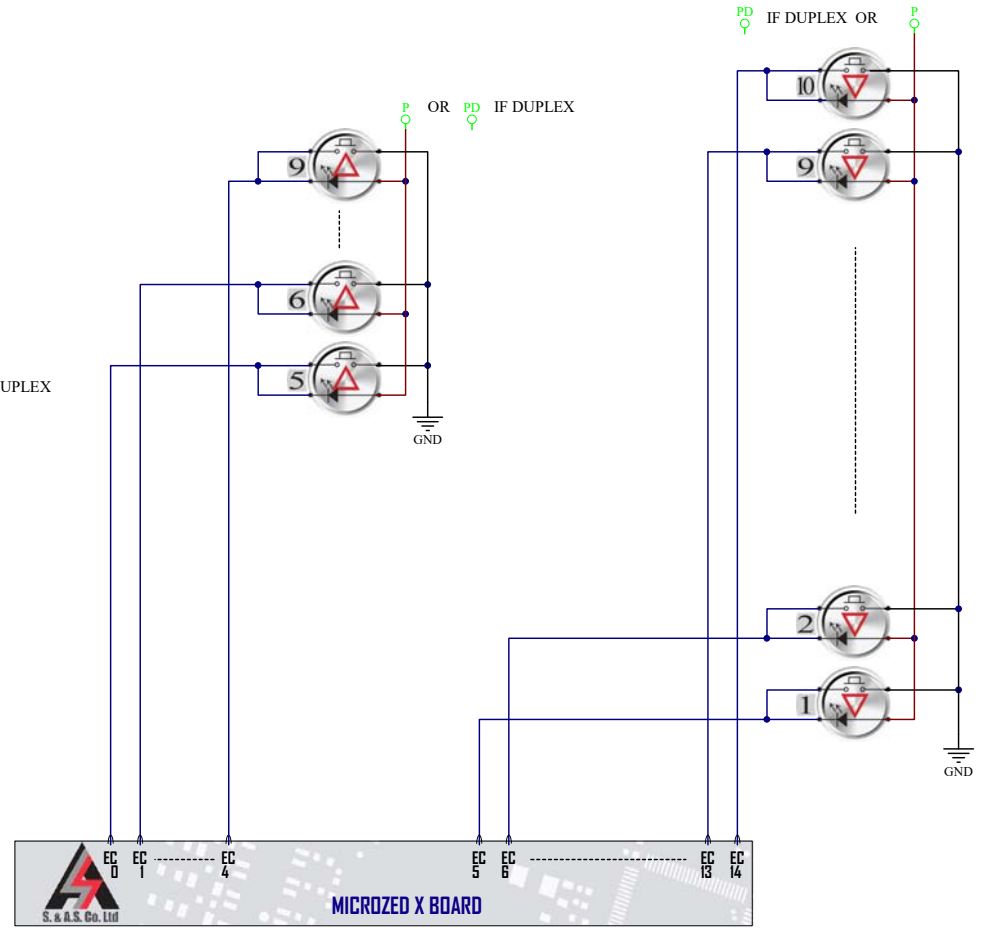
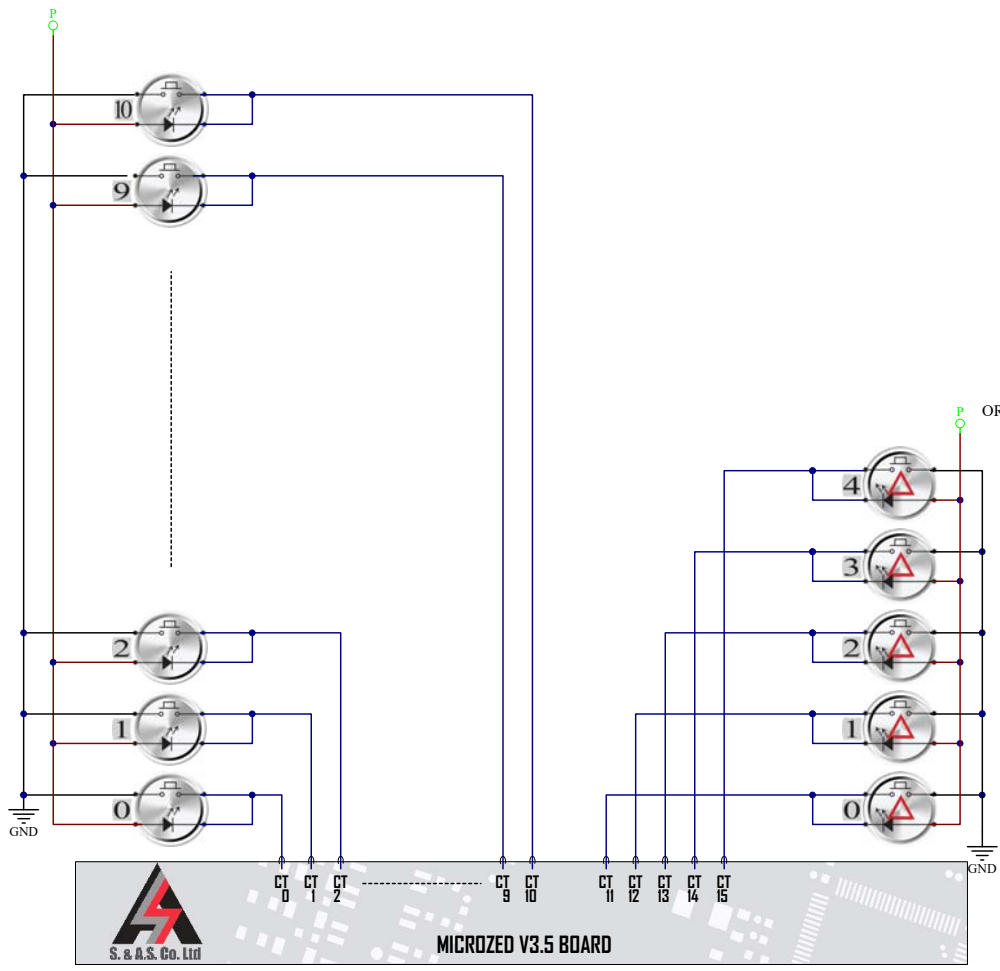
S. & A.S. Co. Ltd

MICROZED V3.5 BOARD

S.&A.S. Ltd.
Jieh Chouf
Lebanon
support@sascontrollers.com

MICROZED V3.5 HYDRAULIC WIRING DIAG: CALLS W/O EXTENSION DOWN COLLECTIVE - 8 STOPS

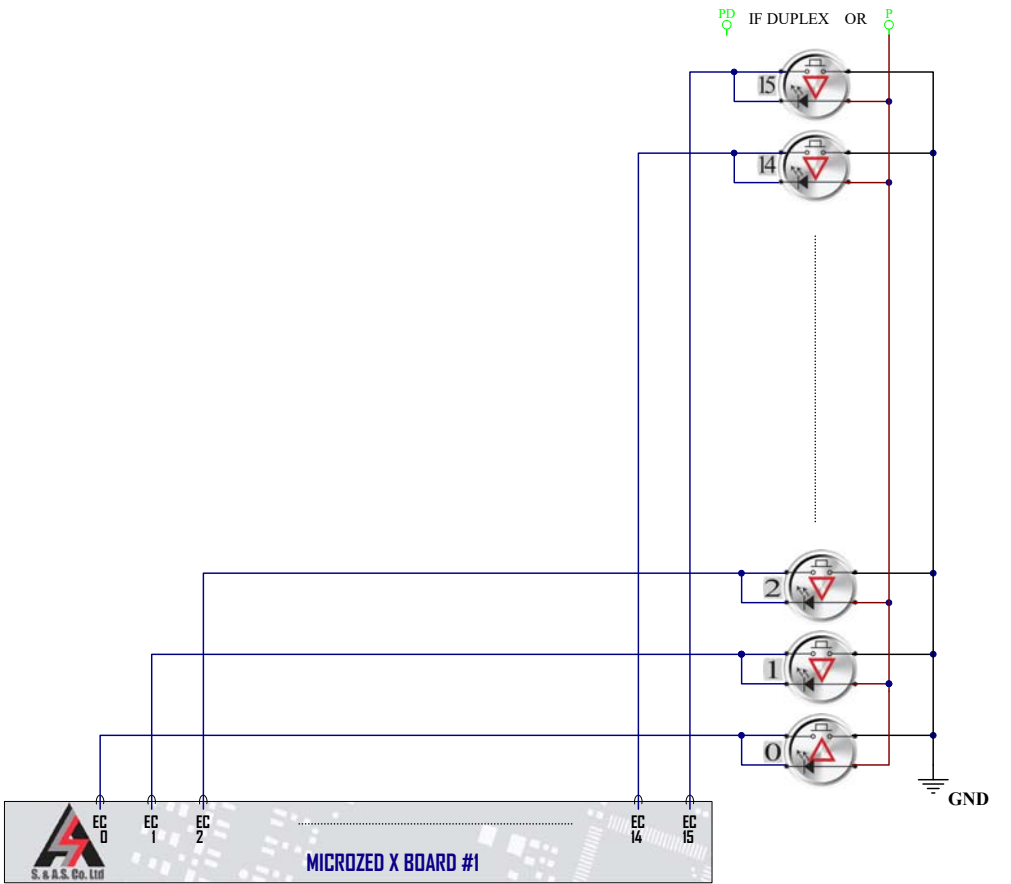
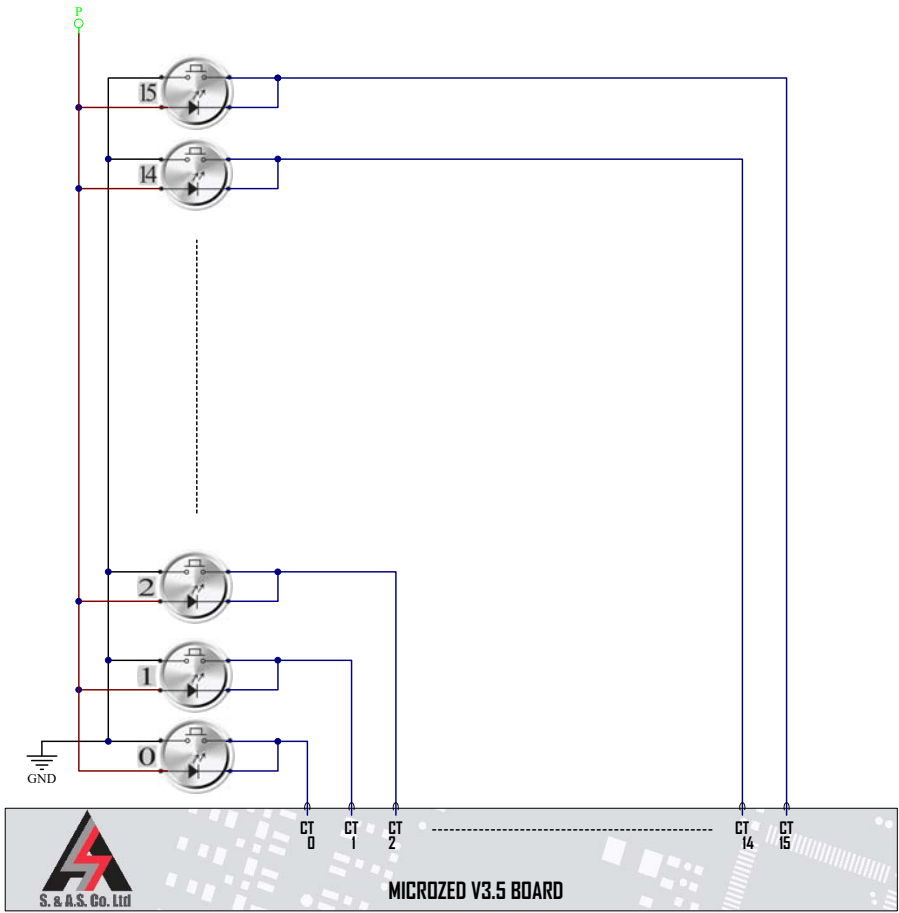
Size B	FCSM No. -	DWG No. A350HYDV1W10_CALLS-Dn8.Sch	Rev 1
Scale -	Sheet		10 of 16



S.&A.S. Ltd.
 Jieh Chouf
 Lebanon
 support@sascontrollers.com

MICROZED V3.5 HYDRAULIC WIRING DIAG: CALLS WITH 1 EXTENSION FULL COLLECTIVE - 11 STOPS

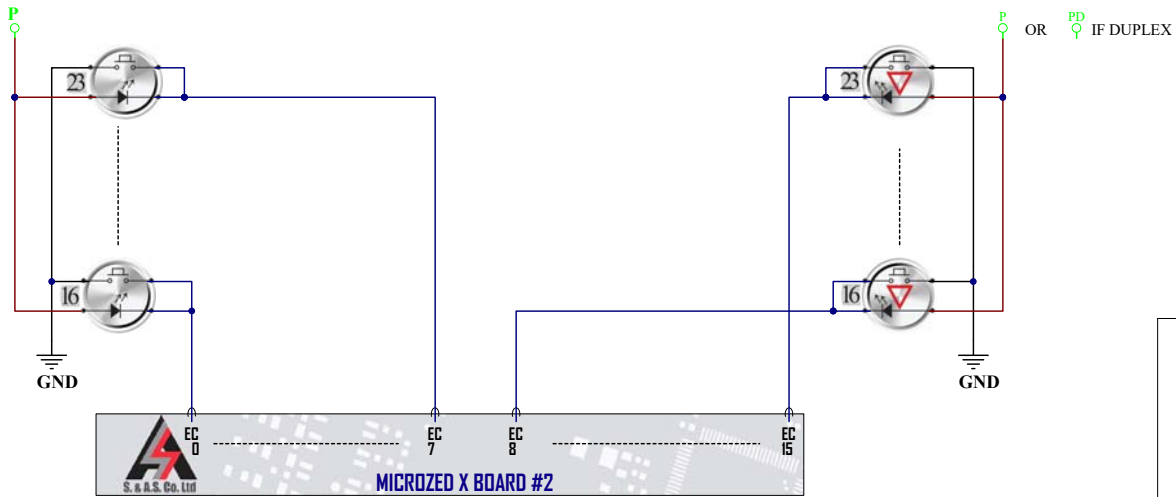
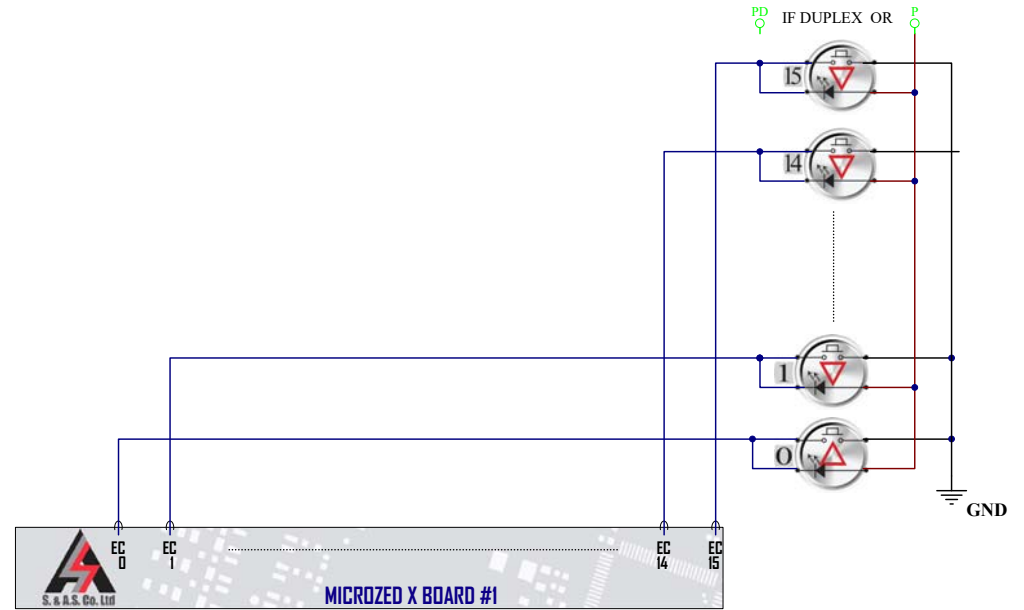
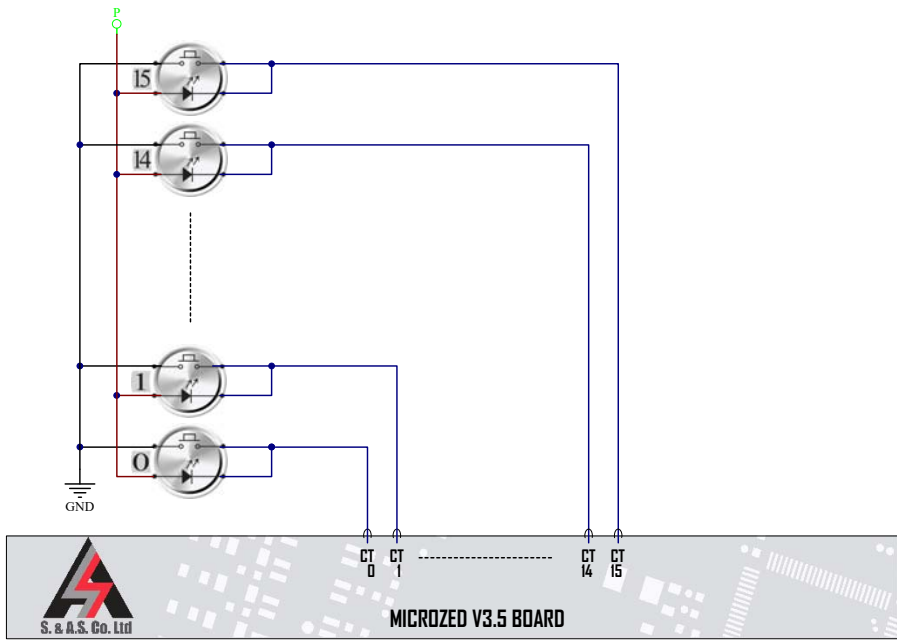
Size B	FCSM No. -	DWG No. A350HYDV1W11_CALLS-Full11_With1Ext.Sch	Rev 1
Scale -	Sheet		11 of 16



S.&A.S. Ltd.
 Jieh Chouf
 Lebanon
 support@sascontrollers.com

MICROZED V3.5 HYDRAULIC WIRING DIAG: CALLS WITH 1 EXTENSION DOWN COLLECTIVE - 16 STOPS

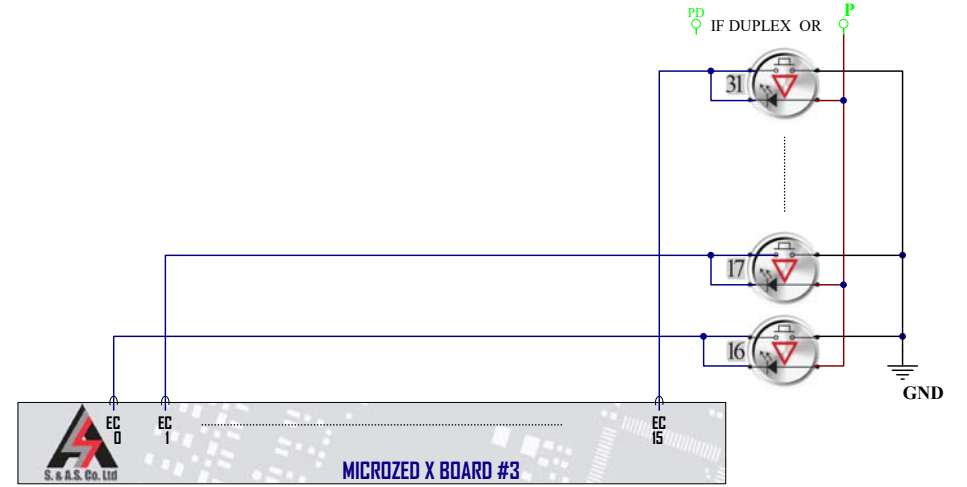
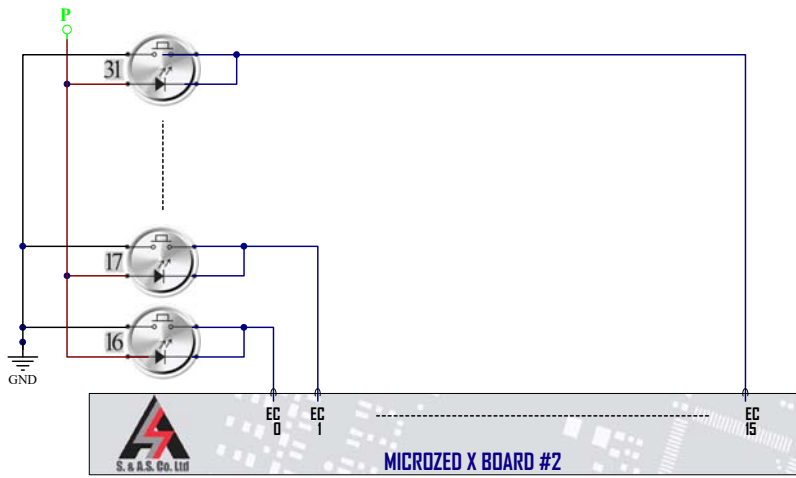
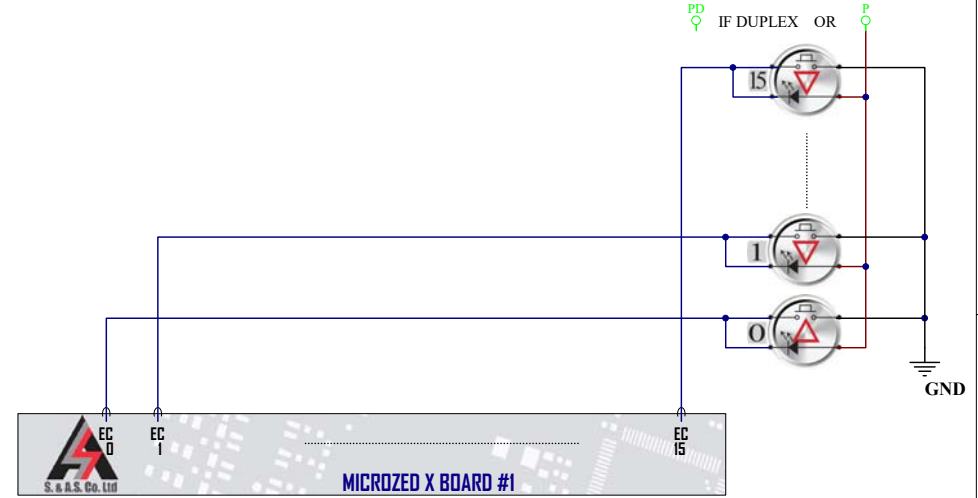
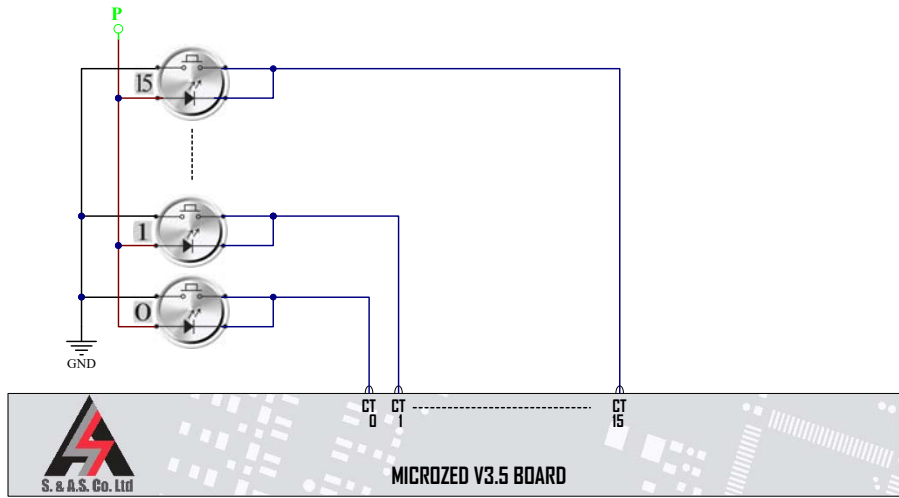
Size B	FCSM No. -	DWG No. A350HYDV1W12_CALLS-Dn16_With1Ext.Sch	Rev 1
Scale -	Sheet		12 of 16



S.&A.S. Ltd.
Jieh Chouf
Lebanon
support@sascontrollers.com

MICROZED V3.5 HYDRAULIC WIRING DIAG: CALLS WITH 2 EXTENSIONS DOWN COLLECTIVE- 16 STOPS

Size B	FCSM No. -	DWG No. A350HYDV1W13_CALLS-Dn16_With2Ext.Sch	Rev 1
Scale -	Sheet 13 of 16		



S.&A.S. Ltd.
 Jieh Chouf
 Lebanon
 support@sascontrollers.com

MICROZED V3.5 HYDRAULIC WIRING DIAG: CALLS WITH 3 EXTENSIONS DOWN COLLECTIVE- 16 STOPS

Size B	FCSM No. -	DWG No. A350HYDV1W14_CALLS-Dn16_With3Ext_Sch	Rev 1
Scale -	Sheet 14 of 16		



INDICATR="ENHANCED" or "7SEGMENT"

COLLECTV="DOWN"

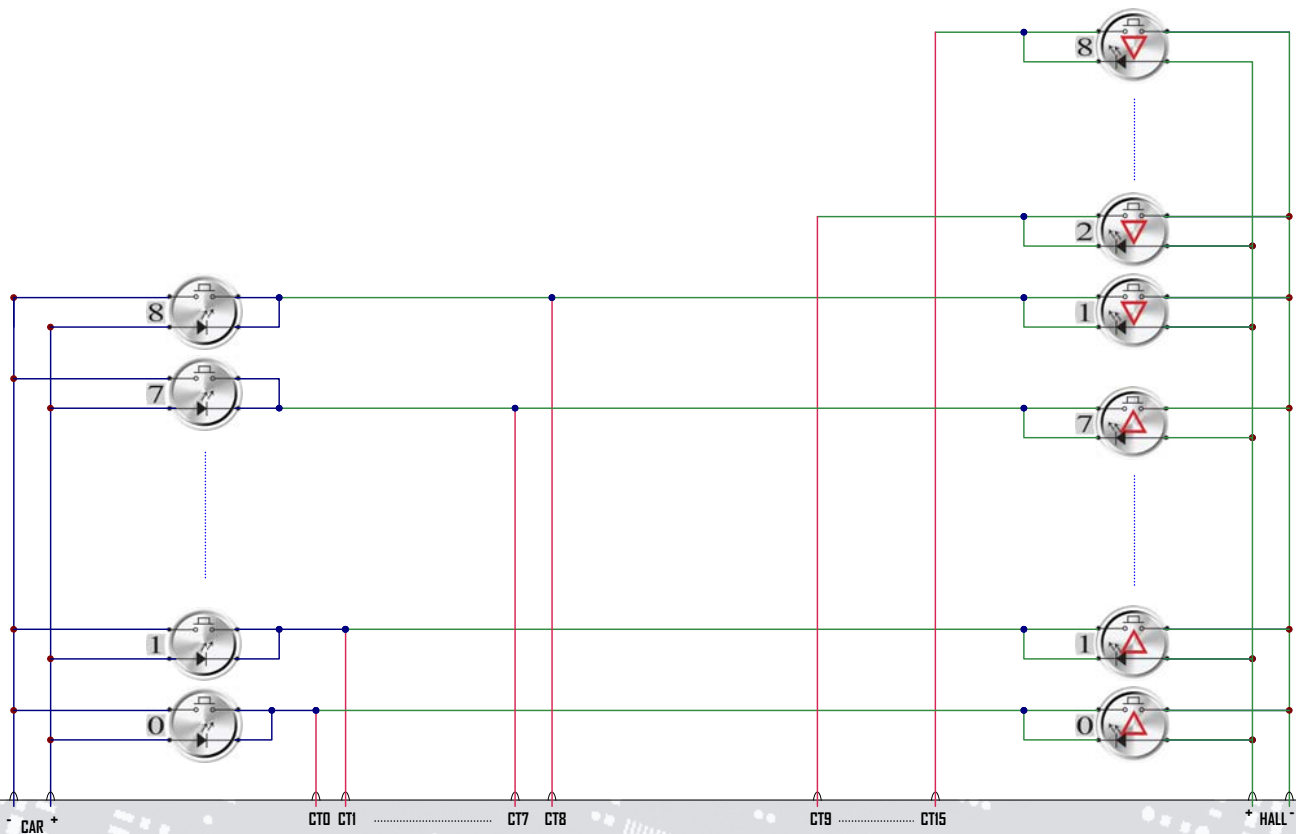
S.&A.S. Ltd.
Jieh Chouf
Lebanon
support@sascontrollers.com

MICROZED V3.5 HYDRAULIC WIRING DIAG: CALLS - COLLECTIVE MULT DOWN - 16 STOPS

Size B	FCSM No. -	DWG No. A350HYDV1W15_CALLS-COLLECTIVE_MULT_Dn16.Sch	Rev 1
Scale -	Sheet		15 of 16



MICROZED V3.5 BOARD



S.&A.S. Ltd. Jieh Chouf Lebanon support@sascontrollers.com			
MICROZED V3.5 HYDRAULIC WIRING DIAG: CALLS - COLLECTIVE MULT FULL- 9 stops			
Size B	FCSM No. -	DWG No. A350HYDV1W16_CALLS-COLLECTIVE_MULT_Full16.Sch	Rev 1
Scale -	Sheet 16 of 16		