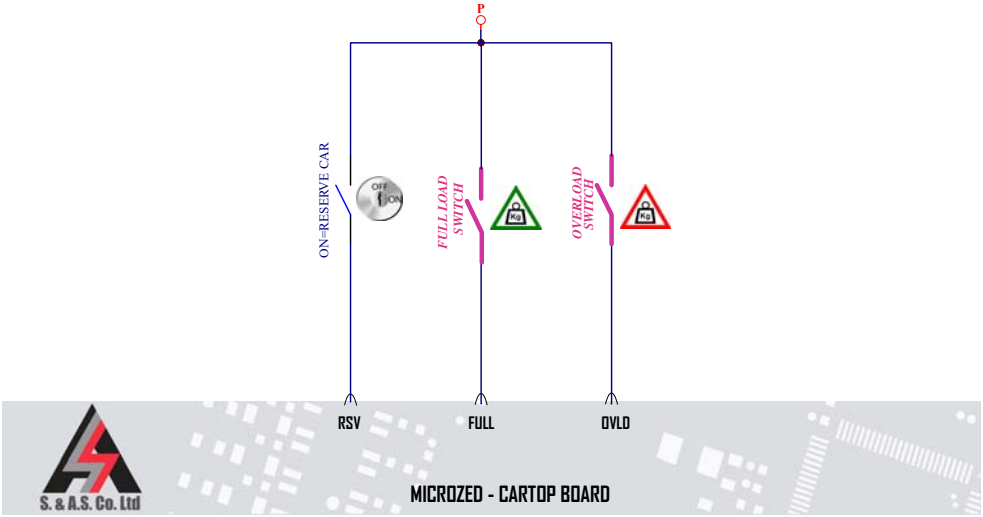


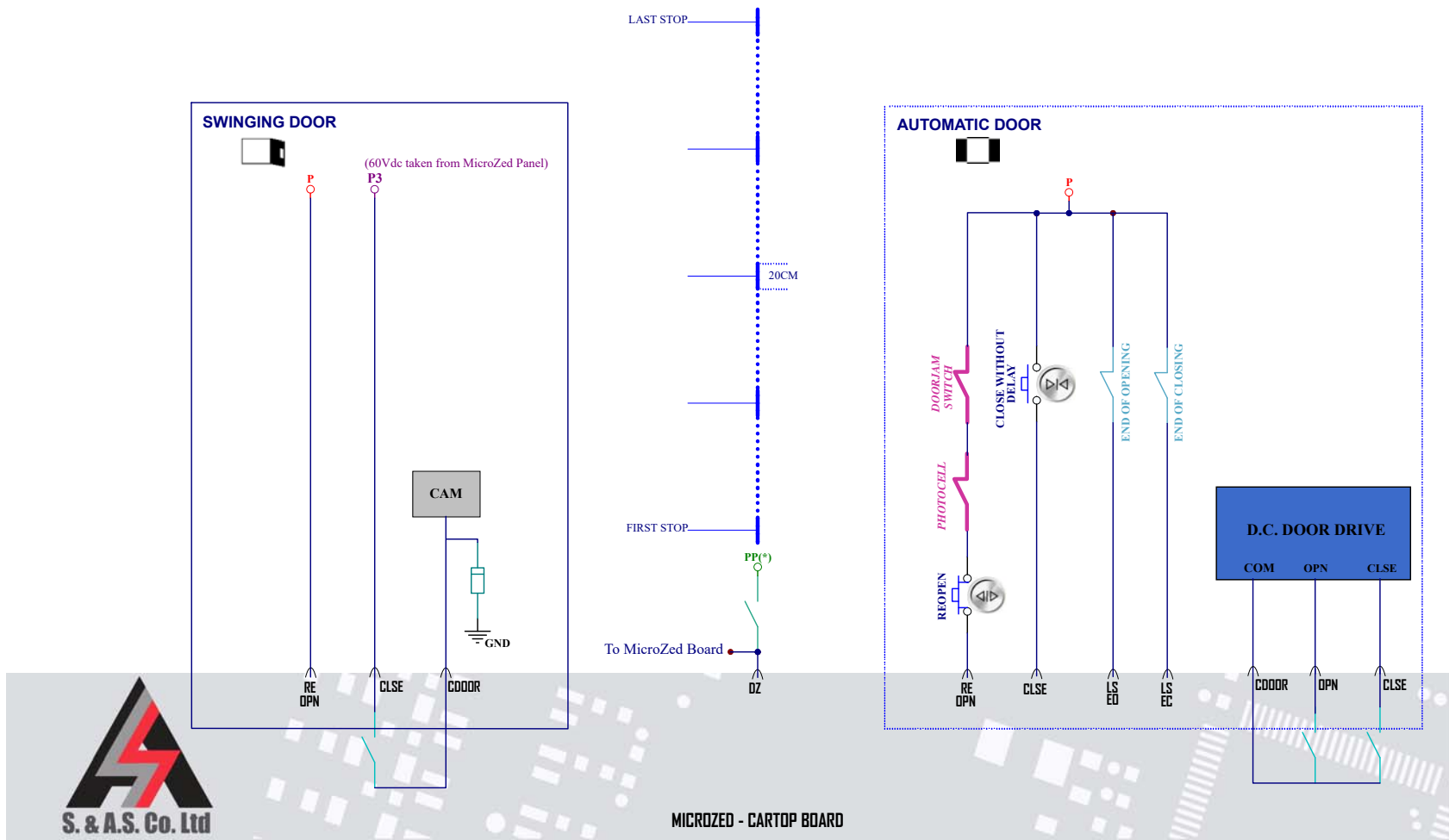
<p>Note:</p> <p>(1): Taken from 24 VDC separate supply installed in MicroZed Panel</p> <p>(2): Spare outputs- functions assigned from MicroZed Menu</p> <p>(*): Use a twisted pair with shield connected to CN on MicroZed</p>		<p>S.&A.S. Ltd. Jieh Chouf Lebanon support@sascontrollers.com</p> <p>CARTOP WIRING DIAG: SUPPLY & OUTPUTS</p>	
Size B	FCSM No. -	DWG No. CARTOP_SUPPLY.Sch	Rev 1
Scale -	Sheet 1 of 4		



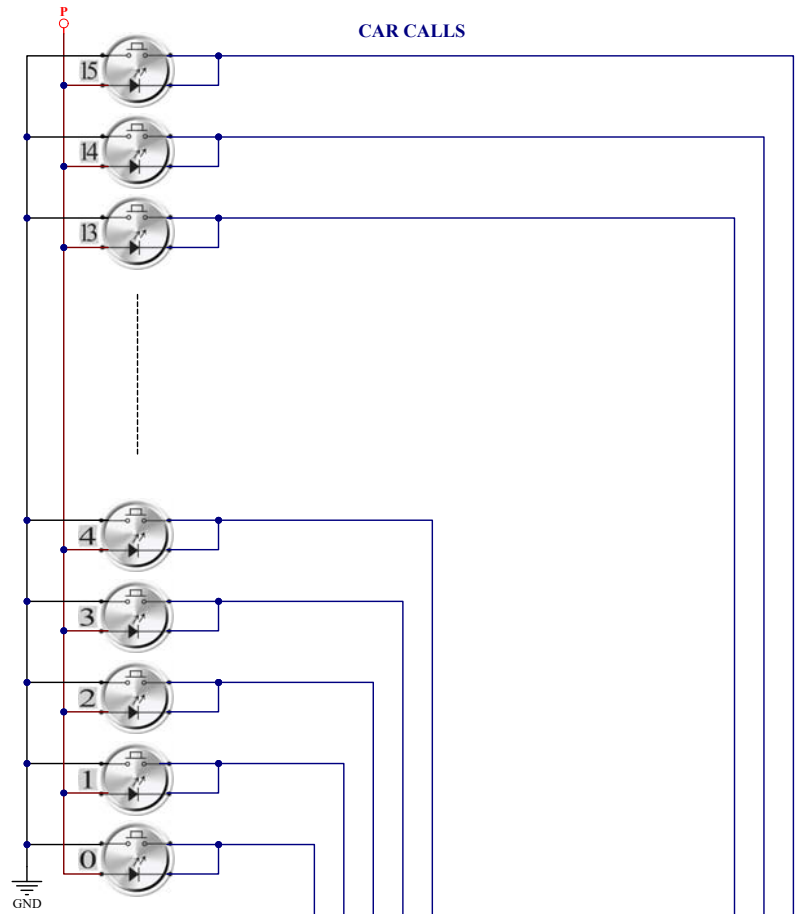

S.&A.S. Ltd.
 Jieh Chouf
 Lebanon
support@sascontrollers.com

CARTOP WIRING DIAG: INPUTS

Size B	FCSM No. -	DWG No. CARTOP_INPUTS.Sch	Rev 1
Scale -	Sheet		2 of 14



Note:		S. & A.S. Ltd.	
(*) : "PP" only for magnetic switches		Jieh Chouf	
		Lebanon	
		support@sascontrollers.com	
CARTOP WIRING DIAG: DOOR INFO			
Size	FCSM No.	DWG No.	Rev
B	-	CARTOP_DOOR.Sch	1
Scale	-	Sheet	3 of 4

S. & A.S. Co. Ltd

MICROZED - CARTOP BOARD

S.&A.S. Ltd.
 Jieh Chouf
 Lebanon
support@sascontrollers.com

CARTOP WIRING DIAG: CALLS

Size B	FCSM No. -	DWG No. CARTOP_CALLS.Sch	Rev 1
Scale -	Sheet 4 of 4		