



DC Inputs / Outputs with Contactors
OmegaATSWiring-MG_DC_IO.Sch



DC Inputs / Outputs with MCB
OmegaATSWiring-MG_DC_IO_MCB.Sch



AC Inputs
OmegaATSWiring-MG_AC_I.Sch



AC OUTPUTS with Contactors
OmegaATSWiring-MG_AC_O.Sch



AC OUTPUTS with MCB
OmegaATSWiring-MG_AC_O_MCB.Sch



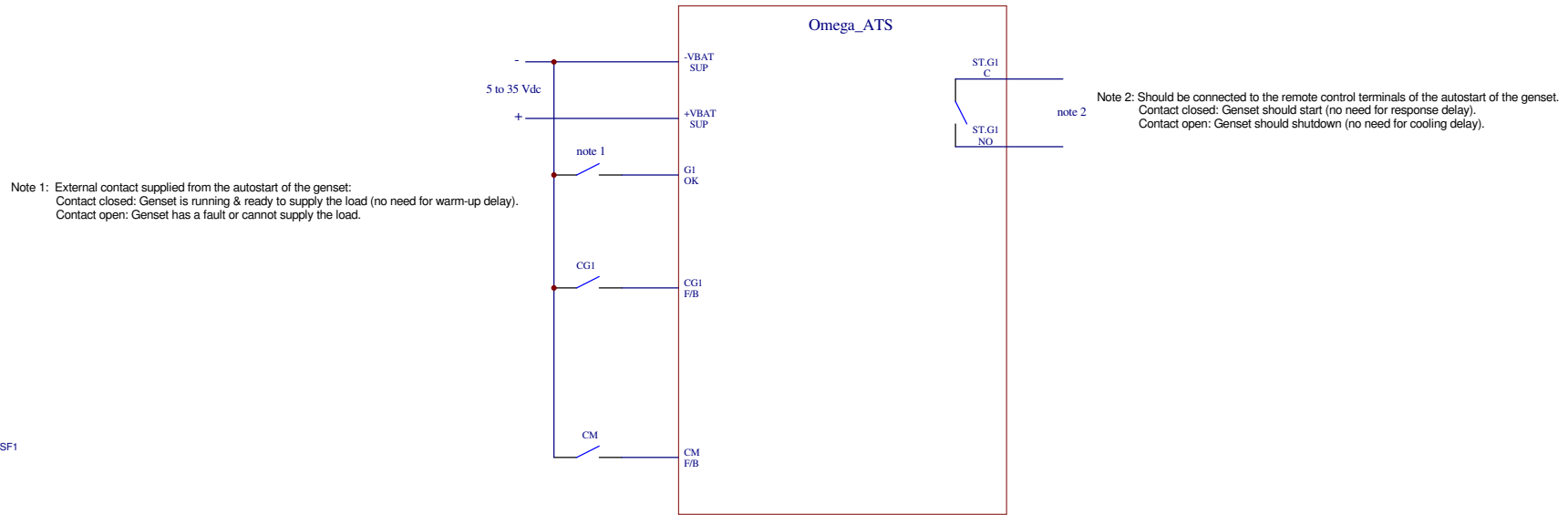
OMEGA ATS/ATSO WIRINGS FOR MAIN AND 1 GENERATOR - MG

S & A.S. Ltd.
BOUTROS BLDG. 1ST BSMT
CHEIKH-EL-GHABY ST.
2068 7808 GHABY - BEIRUT - LEBANON
TEL : 01-216994

Omega-ATS/ATSO Wiring Diagrams - MG

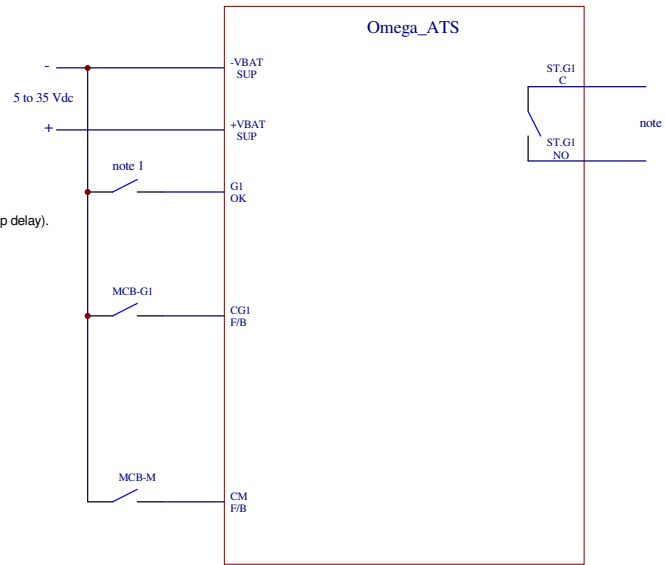
Size B	FCSM No.	DWG No.	Rev 1
Scale	Sheet 1 of 6		

DC side Inputs / Outputs with Contactors



OmegaATSWiring AC I OmegaATSWiring AC O		S & A.S. Ltd. BOUTROS BLDG. 1ST BSMT CHEIKH-EL-GHABY ST. 2068 7808 GHABY - BEIRUT - LEBANON TEL : 01-216994		
		Omega-ATS Wiring Diagram - DC Inputs+Outputs		
Size B	FCSM No.	DWG No. OmegaATSWiring-MG_DC_IO.Sch	Rev 1	
Scale				Sheet 2 of 6

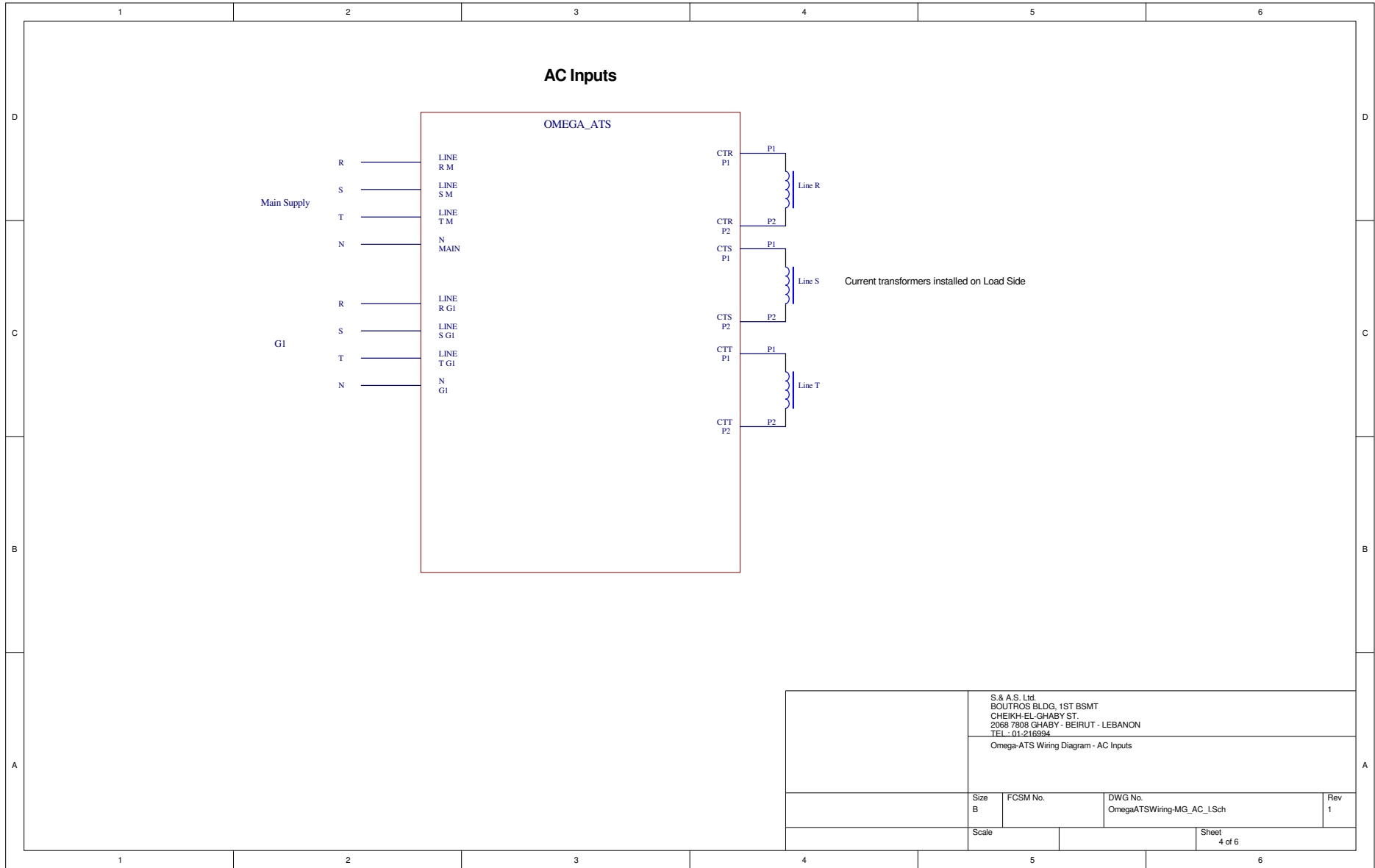
DC side Inputs / Outputs with MCB



Note 1: External contact supplied from the autostart of the genset:
 Contact closed: Genset is running & ready to supply the load (no need for warm-up delay).
 Contact open: Genset has a fault or cannot supply the load.

Note 2: Should be connected to the remote control terminals of the autostart of the genset.
 Contact closed: Genset should start (no need for response delay).
 Contact open: Genset should shutdown (no need for cooling delay).

	OmegaATSWiring AC I 	OmegaATSWiring AC O 	S & A S. Ltd. BOUTROS BLDG. 1ST BSMT CHEIKH-EL-GHABY ST. 2068 7808 GHABY - BEIRUT - LEBANON TEL : 01-216994		
Omega-ATS Wiring Diagram - DC Inputs+Outputs					
Size B	FCSM No.	DWG No. OmegaATSWiring-MG_DC_IO_MCB.Sch	Rev 1		
Scale			Sheet 3 of 6		

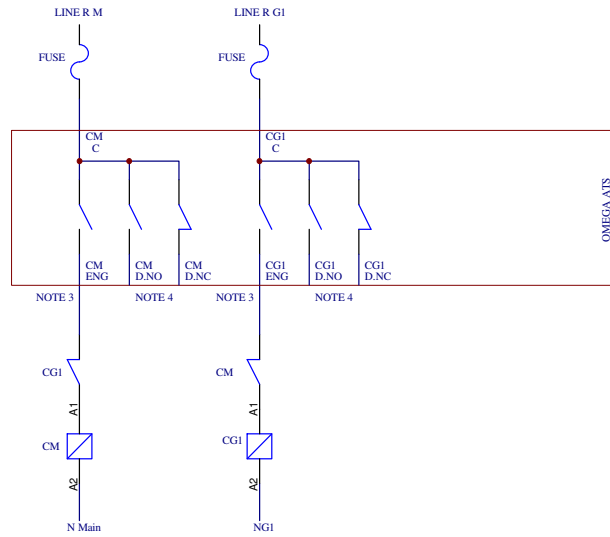


S & A.S. Ltd.
 BOUTROS BLDG. 1ST BSMT
 CHEIKH-EL-GHABY ST.
 2068 7808 GHABY - BEIRUT - LEBANON
 TEL : 01-216994

Omega-ATS Wiring Diagram - AC Inputs

Size B	FCSM No.	DWG No. OmegaATSWiring-MG_AC_I.Sch	Rev 1
Scale		Sheet 4 of 6	

AC OUTPUTS with Contactors

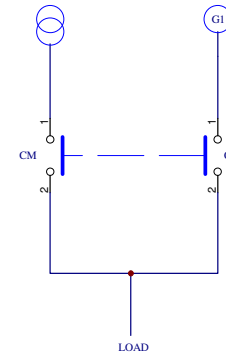


=> This wiring diagram is for 4-poles contactors.
 => 3-poles contactors can be used if it is acceptable to connect the neutrals of the Mains, G1 & G2 together.

Note 3: For use with motorized circuit breaker to engage it.

Note 4: For use with motorized circuit breaker to disengage it.

Single line diagram



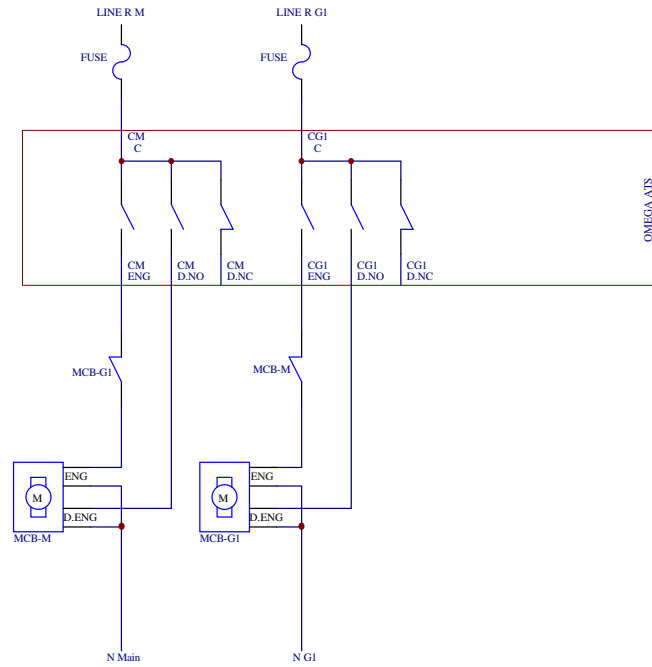
LOAD

S & A S. Ltd.
 BOUTROS BLDG. 1ST BSMT
 CHEIKH-EL-GHABY ST.
 2068 7808 GHABY - BEIRUT - LEBANON
 TEL : 01-216994

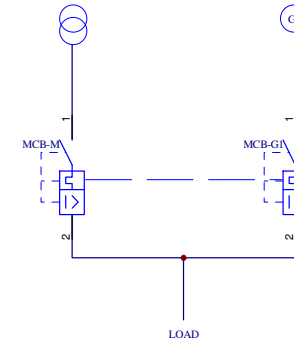
Omega-ATS Wiring Diagram - AC Outputs - Contactors

Size B	FCSM No.	DWG No. OmegaATSWiring-MG_AC_O.Sch	Rev 1
Scale		Sheet 5 of 6	

AC OUTPUTS with MCB



Single line diagram



S & A.S. Ltd.
 BOUTROS BLDG. 1ST BSMT
 CHEIKH-EL-GHABY ST.
 2068 7808 GHABY - BEIRUT - LEBANON
 TEL : 01-216994

Omega-ATS Wiring Diagram - AC Outputs - MCB

Size B	FCSM No.	DWG No. OmegaATSWiring-MG_AC_O_MCB.Sch	Rev 1
Scale		Sheet 6 of 6	