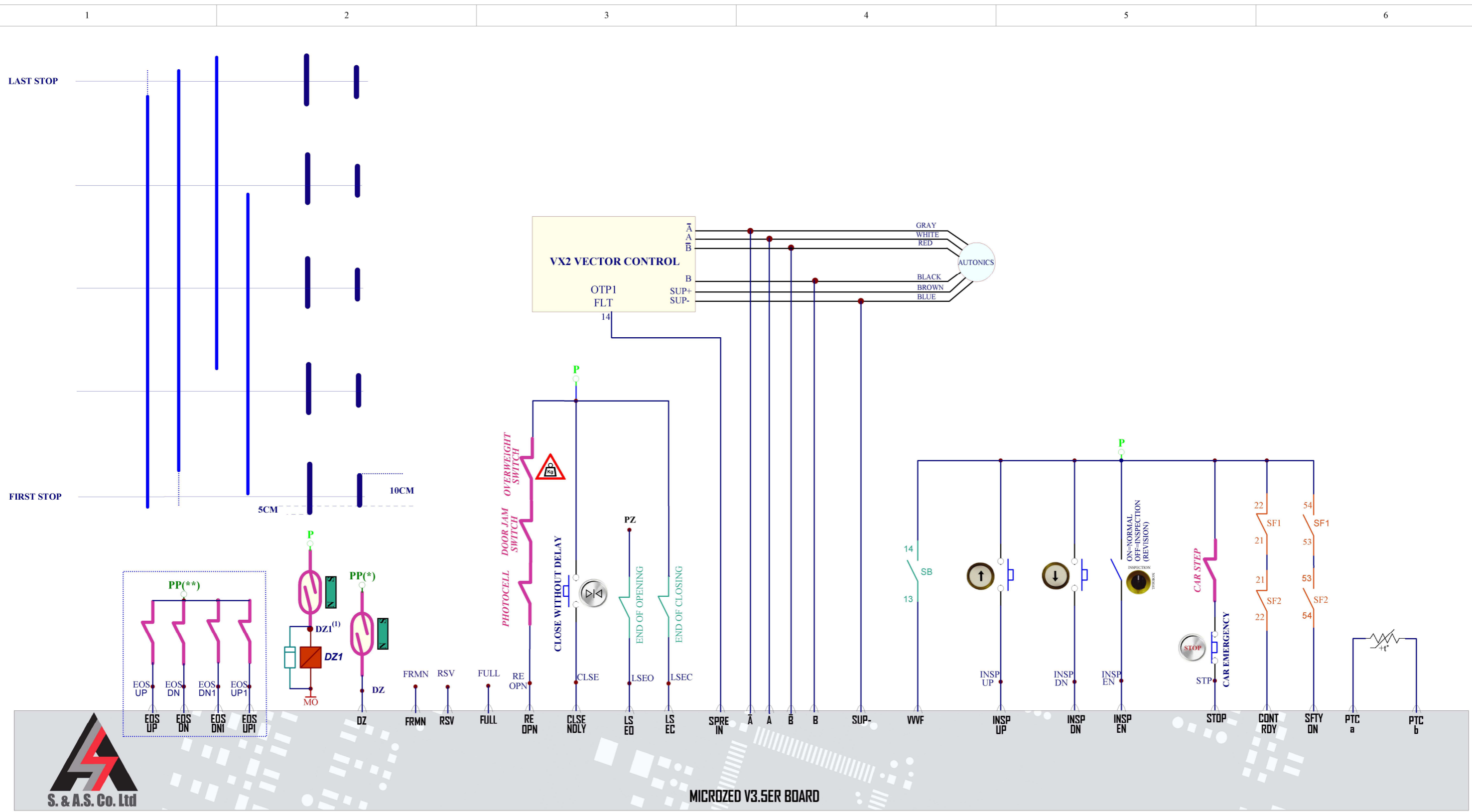


NOTE:
 (**) CONNECT "MO" TO GROUND IF SOLID GROUND IS PROVIDED.
 DO NOT CONNECT "MO" TO GROUND IF NEUTRAL IS CONNECTED TO GROUND.

Title ECBAB V3.5/ER WIRING DIAGRAM: VVVF + MZ V3.5 ER + RESCUE DC AUTO DOOR SUPPLY & OUTPUTS		
Size B	Number	Revision
Date: 6/20/2024	Sheet 1	3 of 3
File: \\.\VVVF_SUPPLY.SchDoc	Drawn By:	



Note:
 (1) DZ1 is recommended for preopening
 (*) "PP" ONLY FOR MAGNETIC SWITCHES.

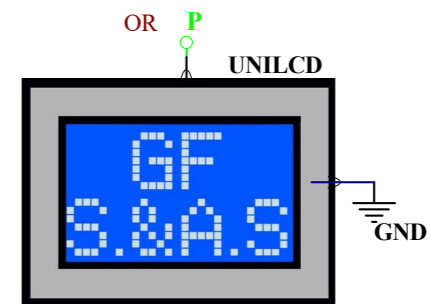
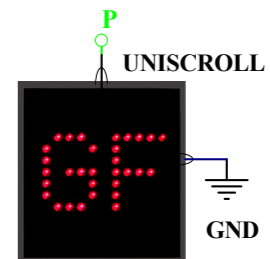
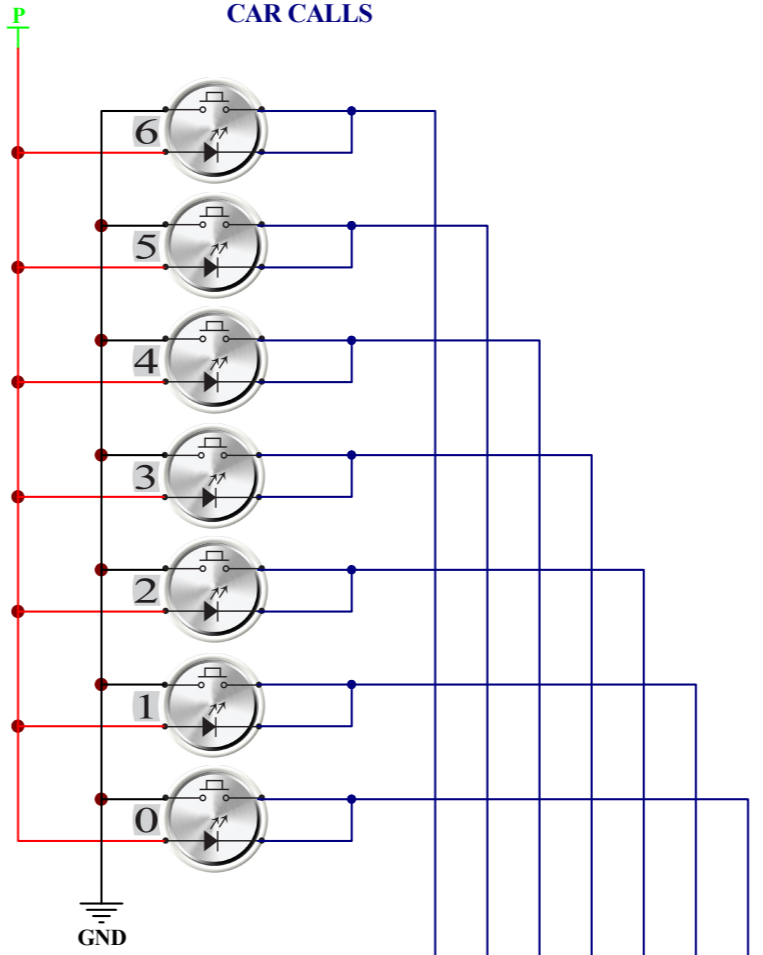
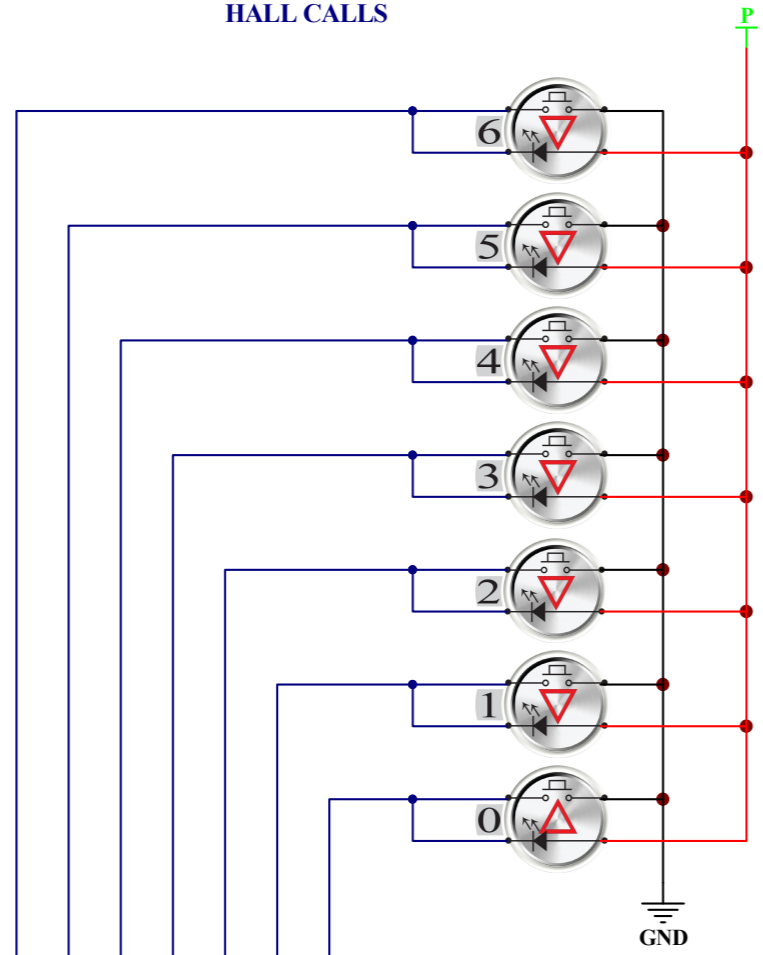
Title ECBAB V3.5/ER DIRET APPROACH WIRING DIAGRAM: INPUTS		
Size B	Number	Revision
Date: 6/20/2024	File: \\..VVFV INPUTS.Sch	Sheet 2 3 of 3 Drawn By:




MICROZED V3.5ER BOARD

HALL CALLS

CAR CALLS




CT 15 CT 14 CT 13 CT 12 CT 11 CT 10 CT 9 CT 8
CT 7 CT 6 CT 5 CT 4 CT 3 CT 2 CT 1 CT 0
ARO DN ARO UP D C B A

MICROZED V3.5ER

Title MICROZED V3.x WIRING DIAG: CAR CALLS & LANDING CALLS WITHOUT EXTENSION		
Size B	Number	Revision
Date: 6/20/2024	Sheet 3 of 3	
File: \\.\VVFV CALLS.Sch	Drawn By:	