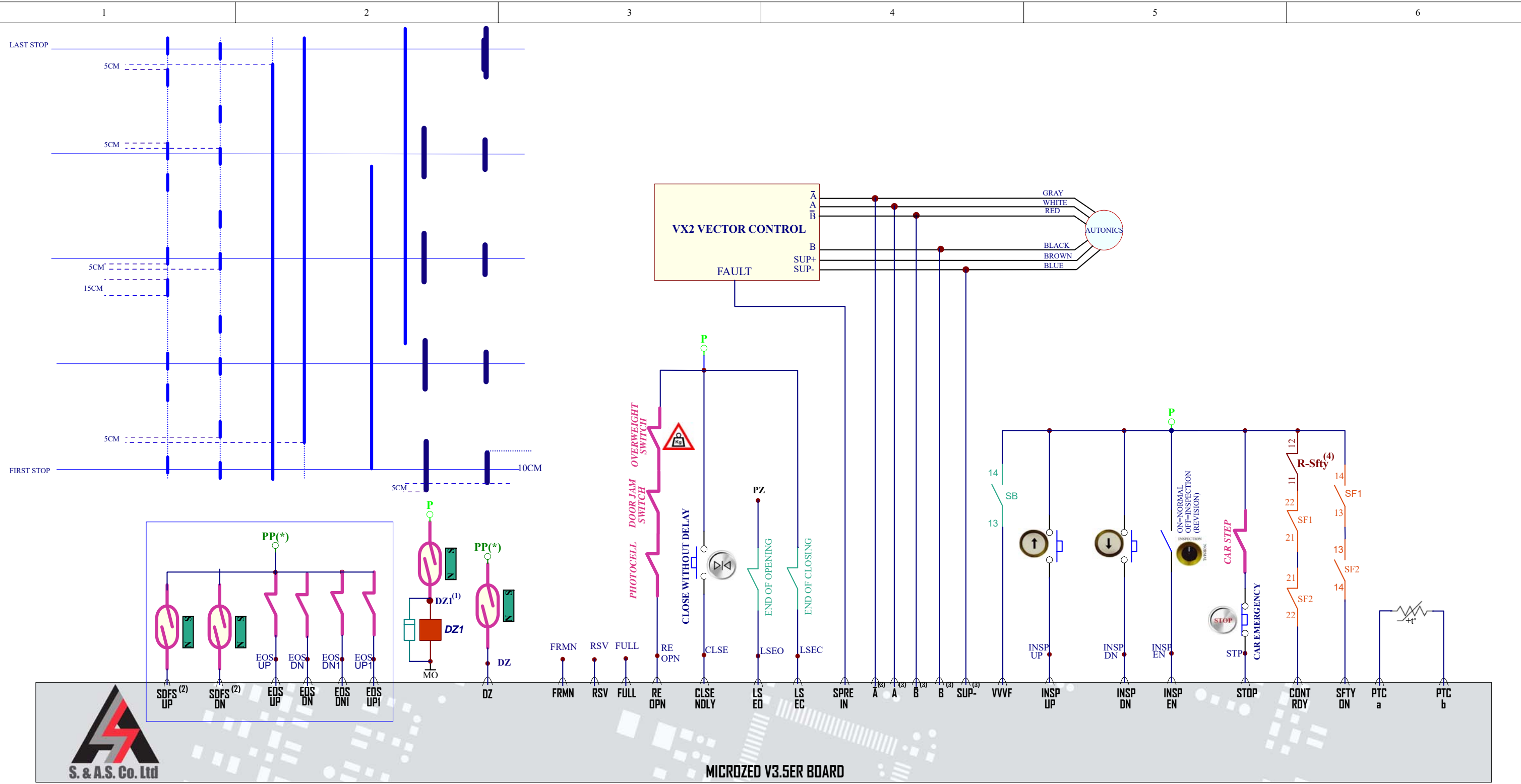


NOTE:
 (1) FW V3.00.H and later
 (*) IN DIRECT APPROACH ONLY
 (**) CONNECT "MO" TO GROUND IF SOLID GROUND IS PROVIDED.
 DO NOT CONNECT "MO" TO GROUND IF NEUTRAL IS CONNECTED TO GROUND.

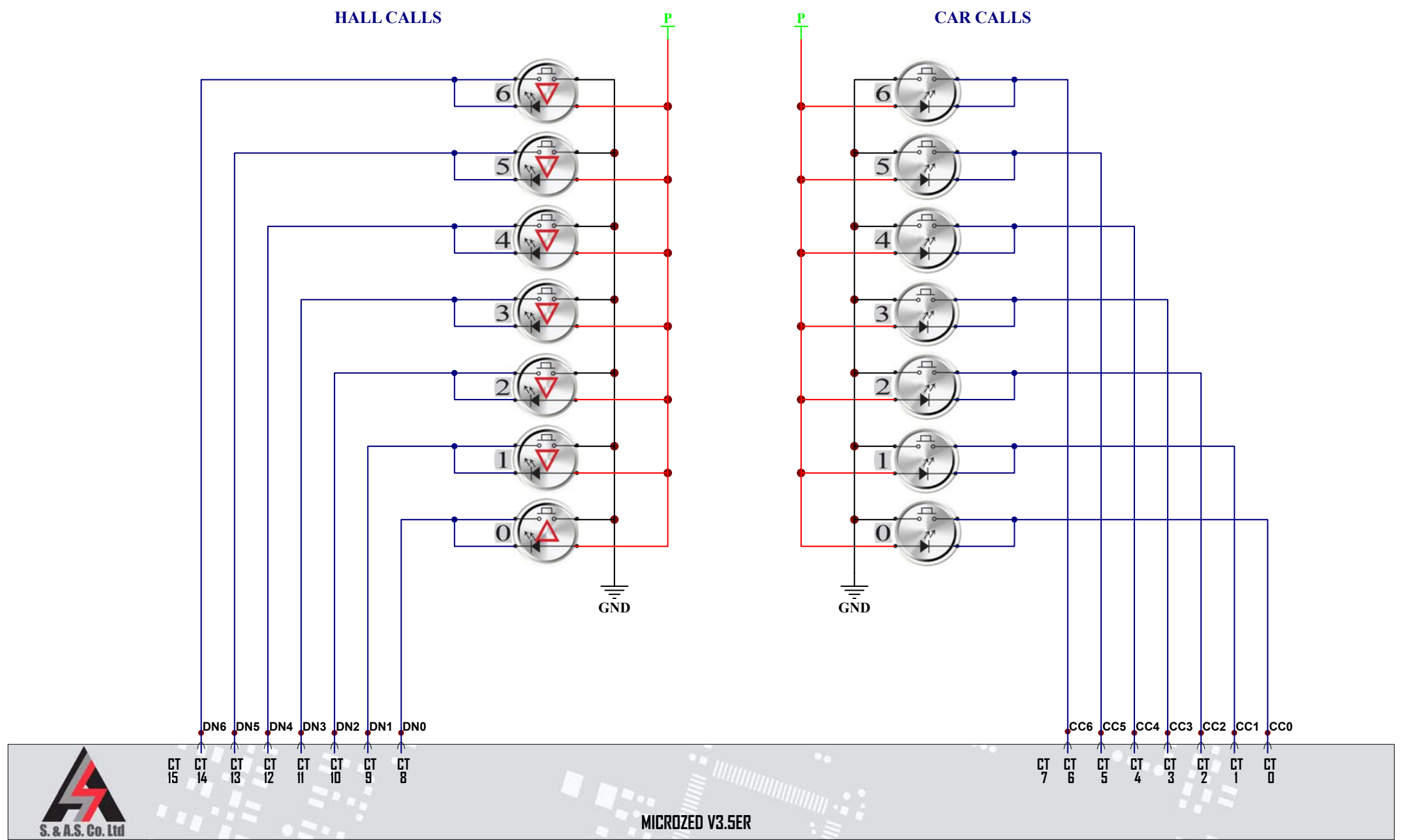
Title ECBAB V3.5/ER WIRING DIAGRAM: VVVF + MZ V3.5 ER: SUPPLY & OUTPUTS		
Size	Number	Revision
B		
Date:	11/2/2017	Sheet 1 of 3
File:	C:\Users\...A350VX2V1W1_SUPPLY.SchDoc	



MICROZED V3.5ER BOARD

- Note:**
- (1) DZ1 is recommended for preopening
 - (2) Installed when not direct approach
 - (3) For direct approach
 - (4) FW V3.00.H and later
 - (*) "PP" only for magnetic switches

Title ECBAB V3.5/ER WIRING DIAGRAM: INPUTS		
Size B	Number	Revision
Date: 11/2/2017	Sheet 2 of 3	
File: C:\Users\...A350VX2V1W2 INPUTS.Sch	Drawn By:	



Title MICROZED V3.5 WIRING DIAG: CAR CALLS & LANDING CALLS WITH EXTENSION		
Size B	Number	Revision
Date: 11/2/2017	Sheet 3 of 3	
File: C:\Users\...A350VX2V1W3 CALLS.Sch Drawn By:		