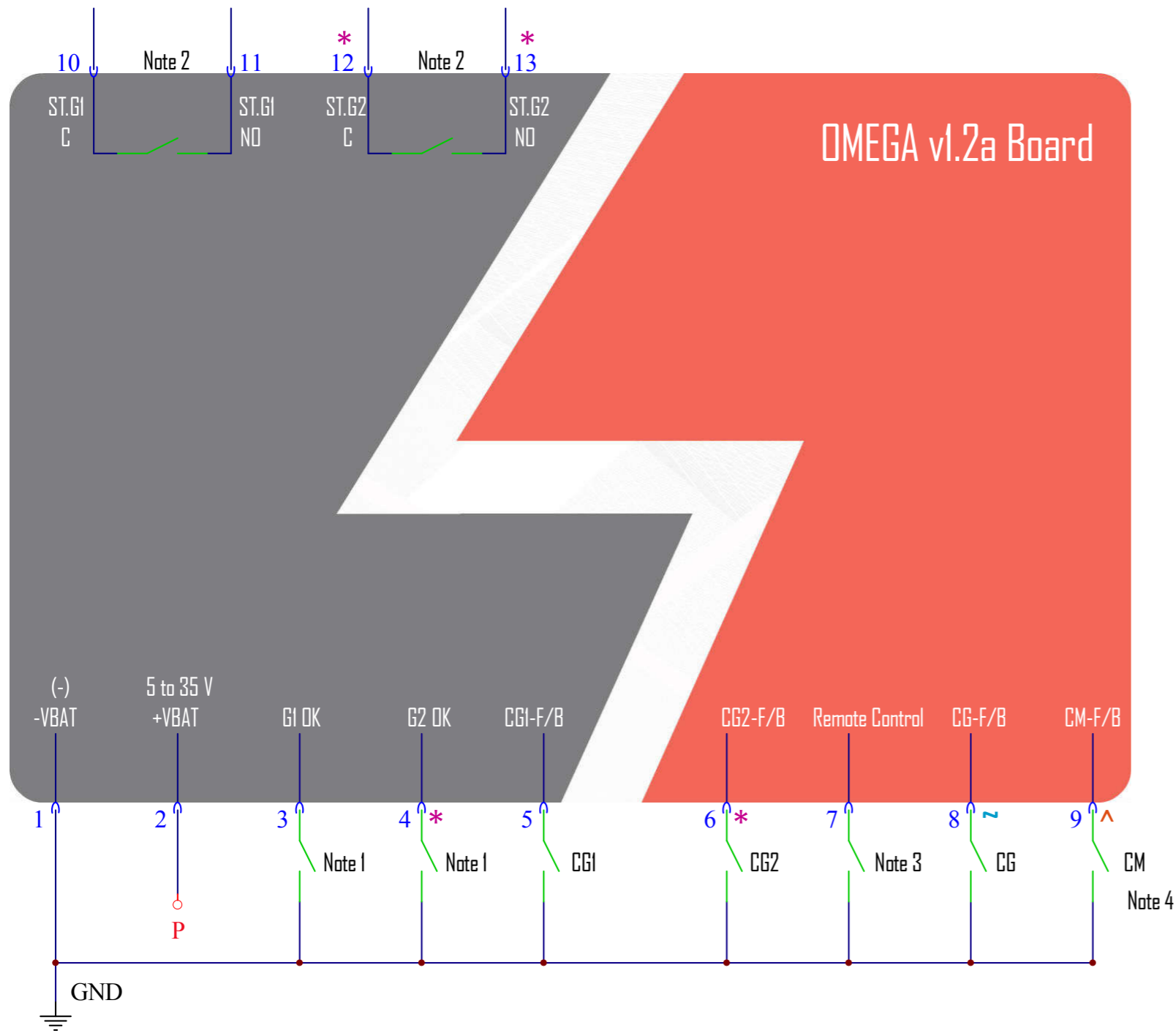


DC Inputs



Note 1: External contact supplied from the autostart of the genset:
 Contact closed: Genset is running & ready to supply the load (no need for warm-up delay).
 Contact open: Genset has a fault or cannot supply the load.

Note 2: Should be connected to the remote control terminals of the autostart of the genset.
 Contact closed: Genset should start (no need for response delay).
 Contact open: Genset should shutdown (no need for cooling delay).

Note 3: This pin can be used when the remote control (R.C.) is set to "Gensets Rdy" or "U Present".

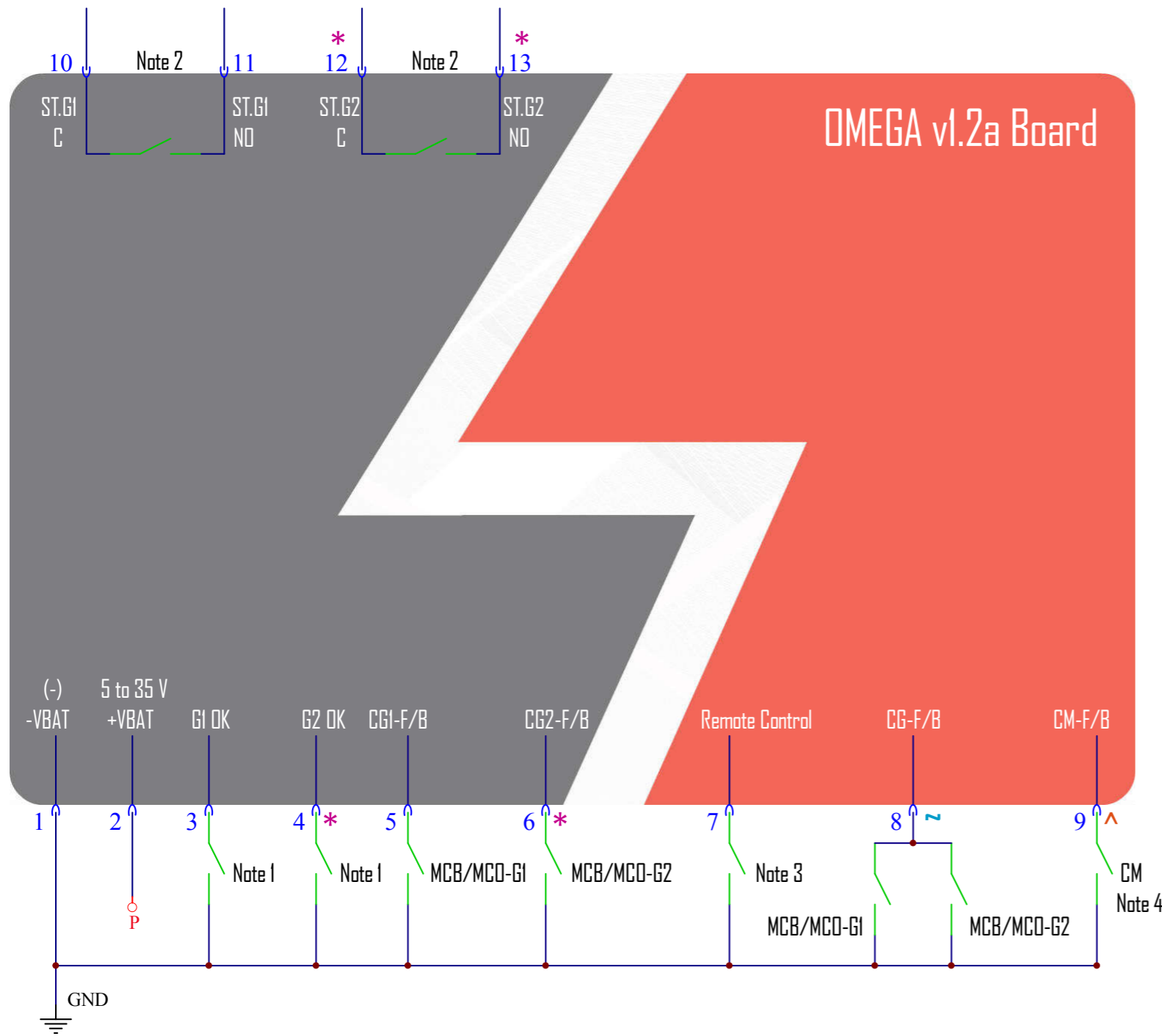
Note 4: This input can be used as Remote Control when the installation type is set to GG installation and the R.C. is set to "v1.0 Compt."

ATS12a Wiring

- * Not connected in MG installation
- ▲ Not connected in GG installation
- ~ Connected only in MGG installation

| | | | |
|---|---------------|-----------------------|----------|
| S.&A.S. Ltd. Jieh Chouf Lebanon support@sascontrollers.com | | | |
| ATS12a WIRING DIAG: DC Input/Output | | | |
| Size B | FCSM No. - | DWG No. ATS12a.Sch | Rev 1 |
| Scale - | Sheet | | 1 of 5 |

DC Inputs with MCB/MCO



Note 1: External contact supplied from the autostart of the genset:
 Contact closed: Genset is running & ready to supply the load (no need for warm-up delay).
 Contact open: Genset has a fault or cannot supply the load.

Note 2: Should be connected to the remote control terminals of the autostart of the genset.
 Contact closed: Genset should start (no need for response delay).
 Contact open: Genset should shutdown (no need for cooling delay).

Note 3: This pin can be used when the remote control (R.C.) is set to "Gensets Rdy" or "U Present".

Note 4: This input can be used as Remote Control when the installation type is set to GG installation and the R.C. is set to "v1.0 Compt."

ATS12a Wiring

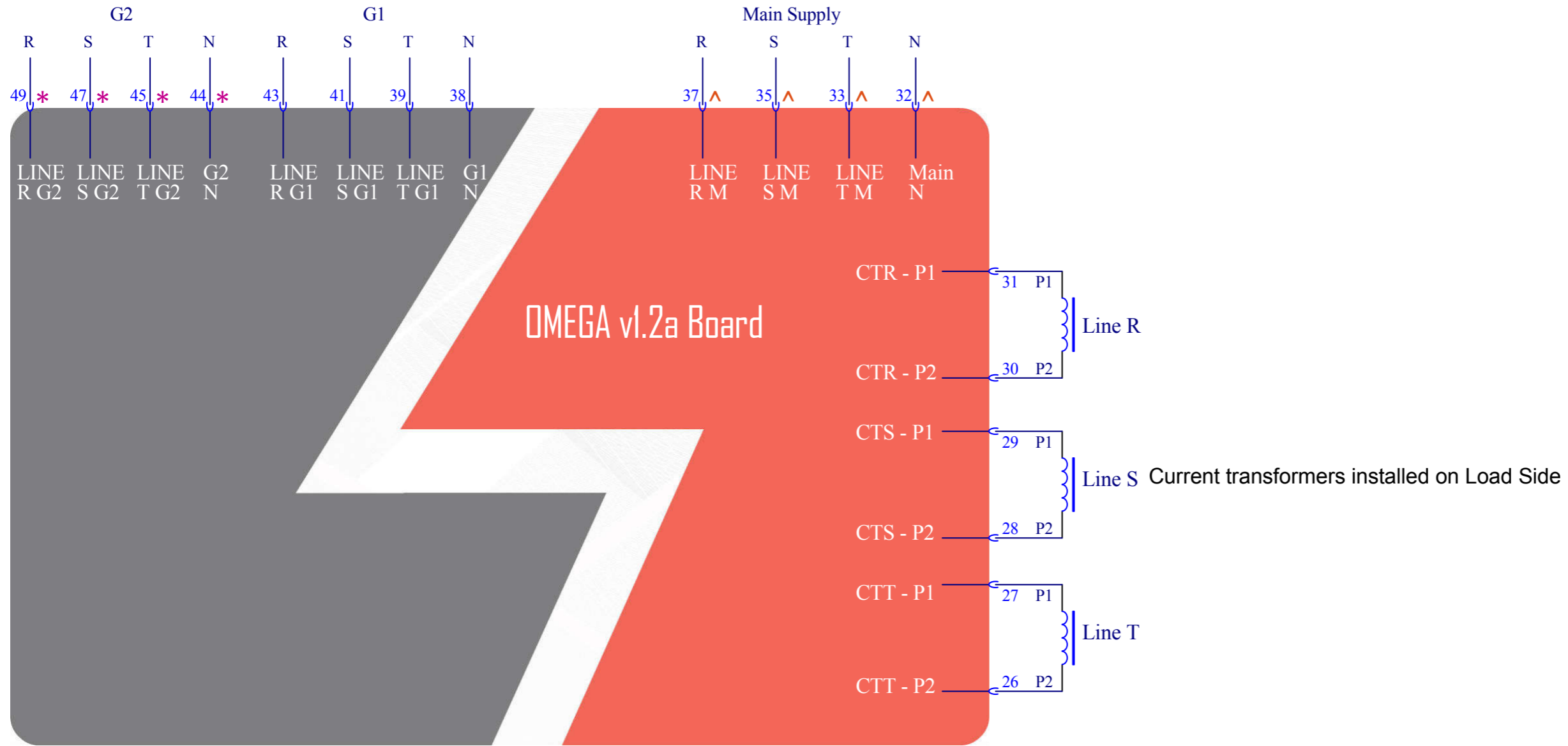
- * Not connected in MG installation
- ^ Not connected in GG installation
- ~ Connected only in MGG installation

S.&A.S. Ltd.
 Jieh Chouf
 Lebanon
support@sascontrollers.com

ATS12a WIRING DIAG: DC Input/Output with MCB/MCO

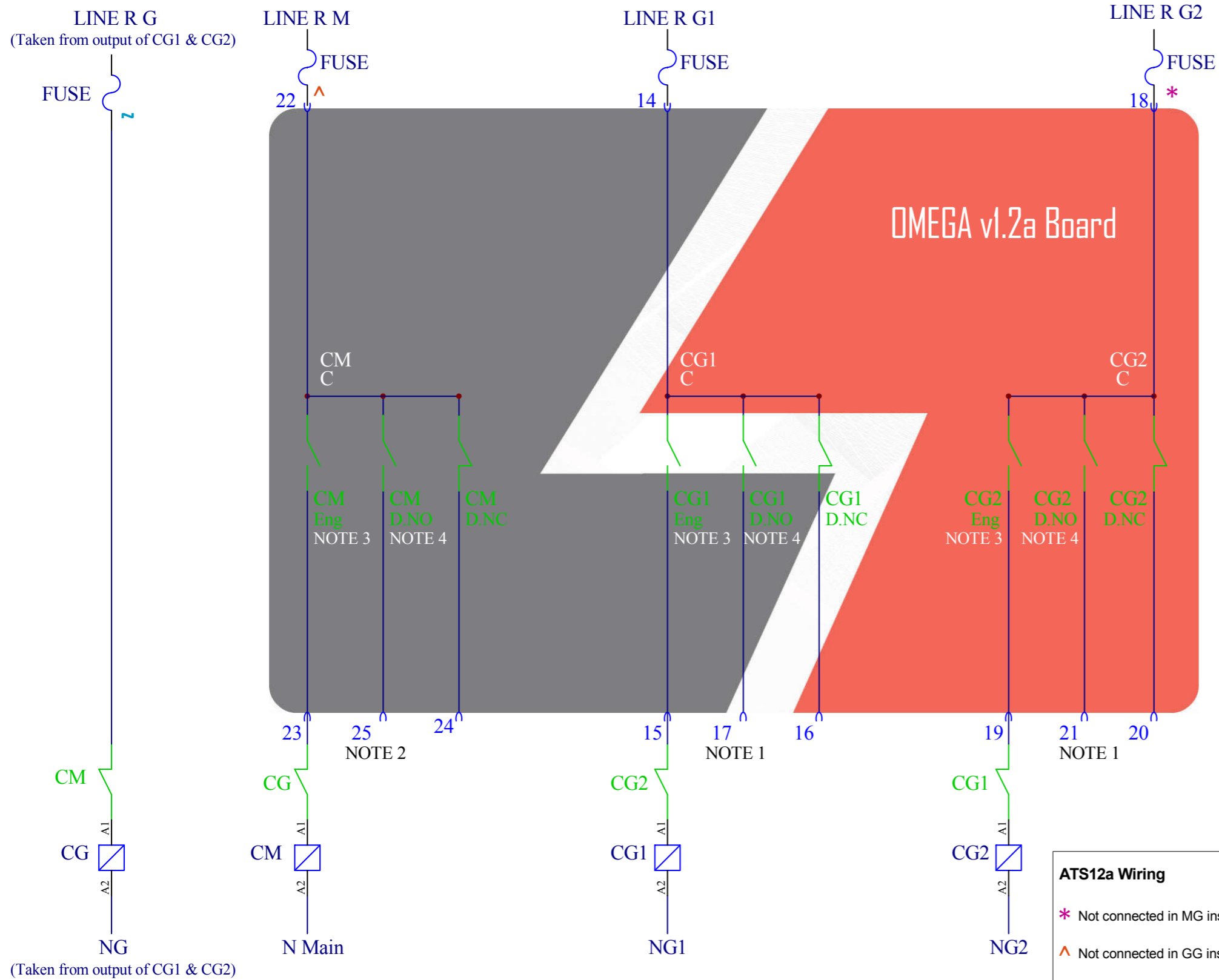
| | | | |
|------------|-----------------|-----------------------|----------|
| Size B | FCSM No. - | DWG No. ATS12a.Sch | Rev 1 |
| Scale - | Sheet 2 of 5 | | |

AC Inputs

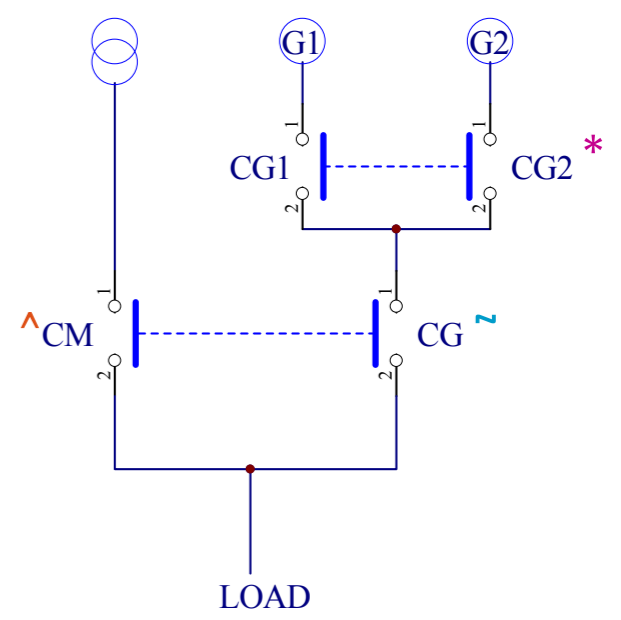


| | | | |
|--------------------------------------|------------|----------------------------|--------|
| ATS12a Wiring | | S.&A.S. Ltd. | |
| * Not connected in MG installation | | Jieh Chouf | |
| ^ Not connected in GG installation | | Lebanon | |
| ~ Connected only in MGG installation | | support@sascontrollers.com | |
| ATS12a WIRING DIAG: | | | |
| AC Inputs | | | |
| Size B | FCSM No. - | DWG No. AT512a.Sch | Rev 1 |
| Scale - | Sheet | | 3 of 5 |

AC OUTPUTS with Contactors



Single line diagram



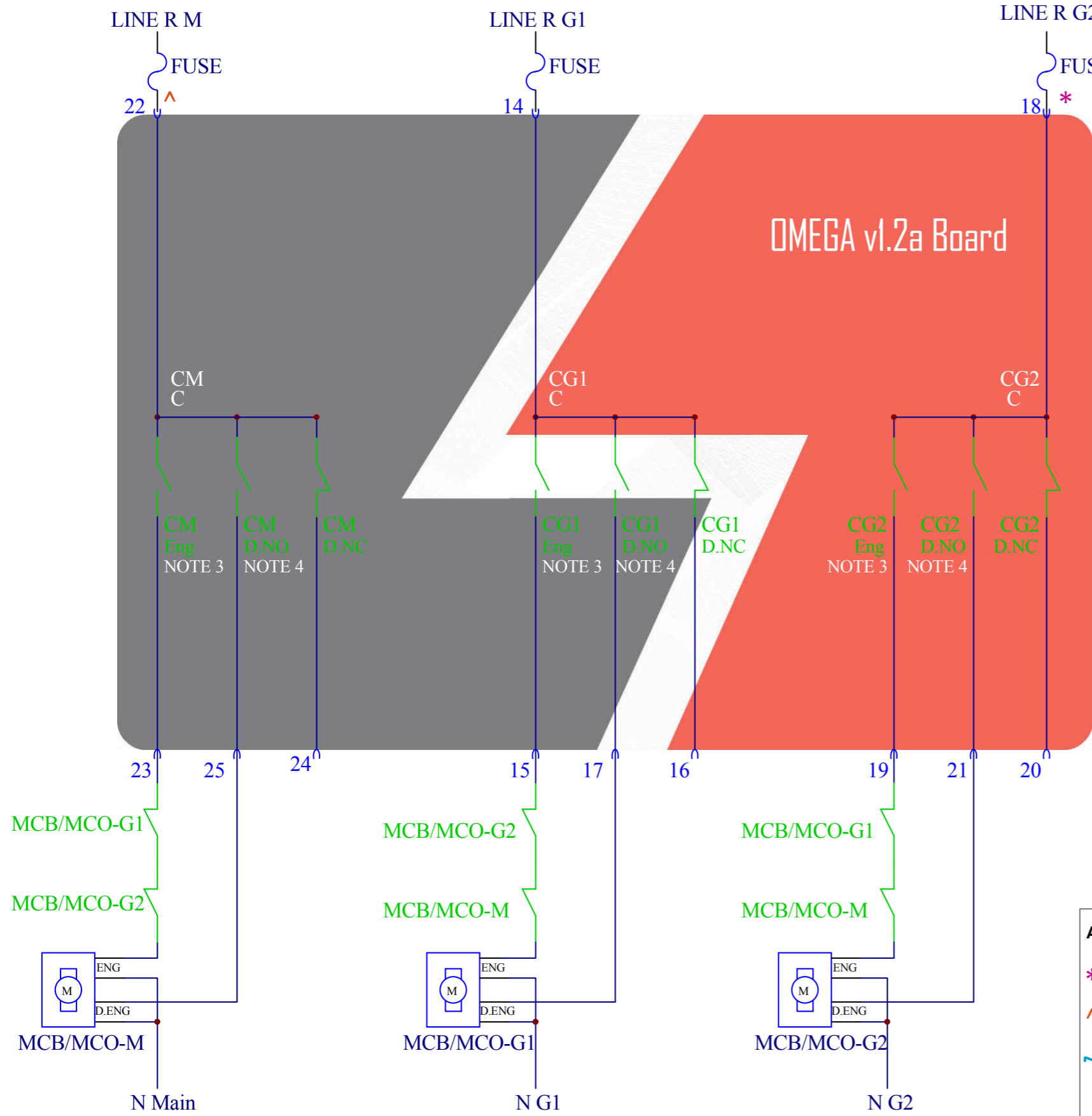
- Note 1: Used as an alarm output if fault exists on G1 or G2 in case contactors are used for the transfer switch
- Note 2: Used as an alarm output if utility is absent in case contactors are used for the transfer switch
- Note 3: For use with motorized circuit breaker to engage it.
- Note 4: For use with motorized circuit breaker to disengage it.
- This wiring diagram is for 4-poles contactors.
- 3-poles contactors can be used if it is acceptable to connect the neutrals of the Mains, G1 & G2 together.

ATS12a Wiring

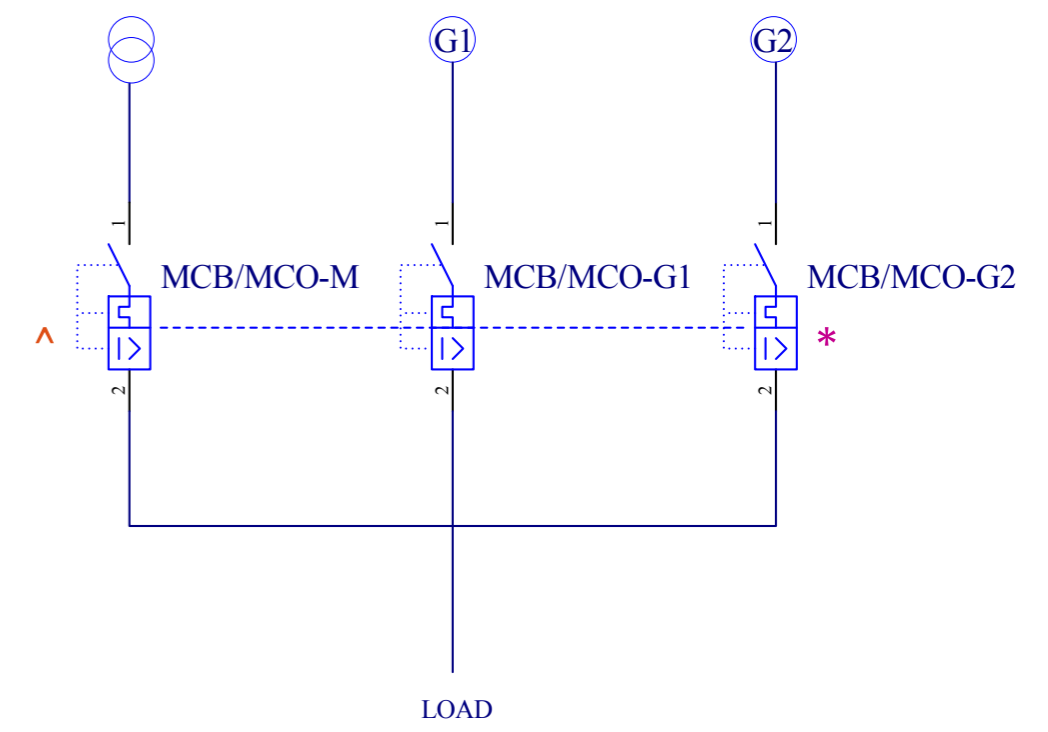
- * Not connected in MG installation
- ▲ Not connected in GG installation
- ~ Connected only in MGG installation

| | | | |
|---|-----------------|-----------------------|----------|
| S.&A.S. Ltd. Jieh Chouf Lebanon support@sascontrollers.com | | | |
| ATS12a WIRING DIAG: AC Outputs with Contactors | | | |
| Size B | FCSM No. - | DWG No. ATS12a.Sch | Rev 1 |
| Scale - | Sheet 4 of 5 | | |

AC OUTPUTS with MCB/MCO



Single line diagram



ATS12a Wiring

- * Not connected in MG installation
- ^ Not connected in GG installation
- ~ Connected only in MGG installation

| | | | |
|---|-----------------|-----------------------|----------|
| S.&A.S. Ltd. Jieh Chouf Lebanon support@sascontrollers.com | | | |
| ATS12a WIRING DIAG: AC Outputs with MCB/MCO | | | |
| Size B | FCSM No. - | DWG No. ATS12a.Sch | Rev 1 |
| Scale - | Sheet 5 of 5 | | |