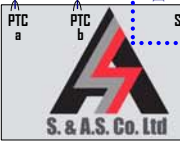
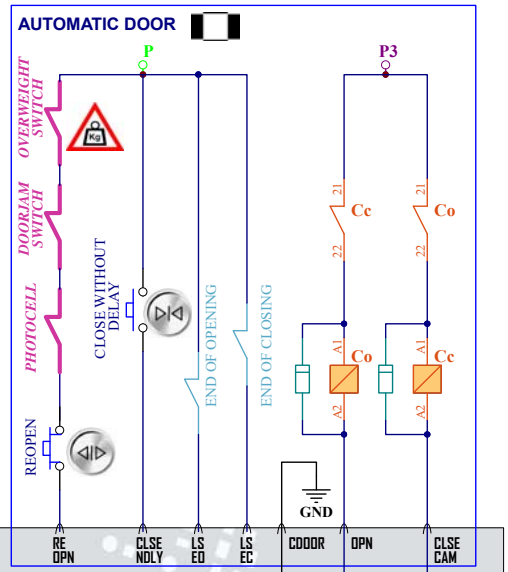
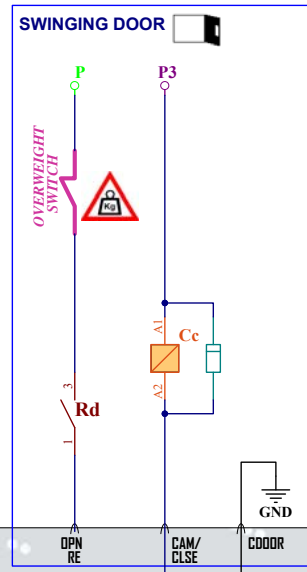
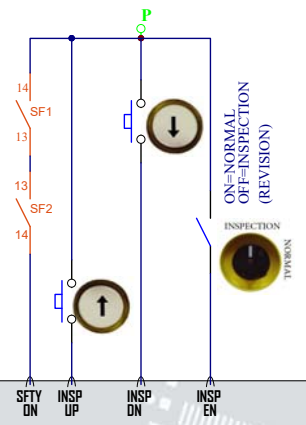
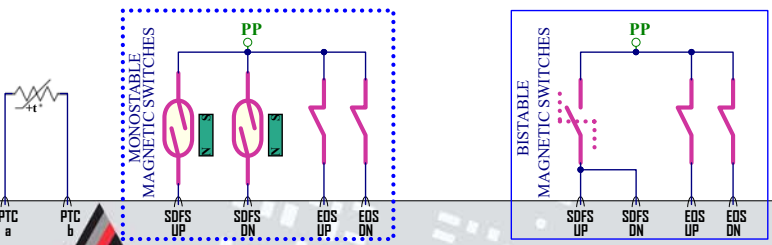
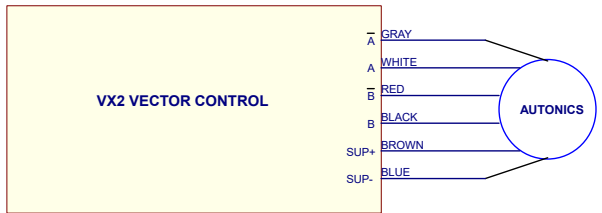
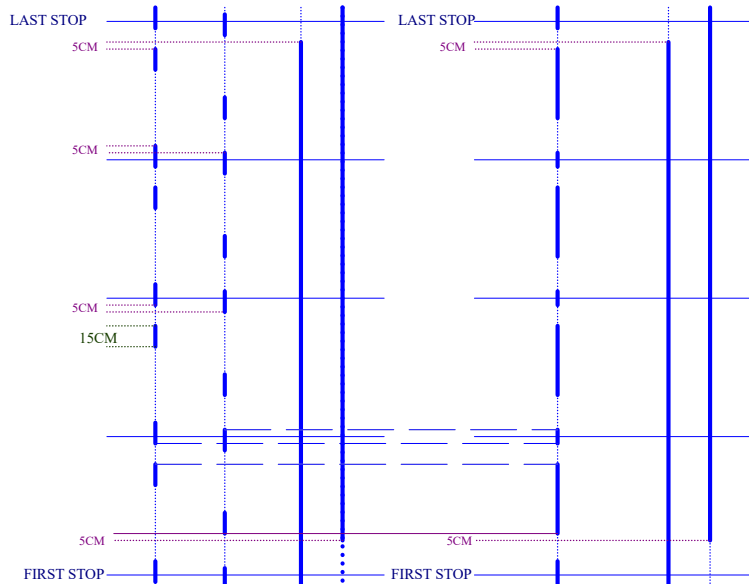


S.&A.S. Ltd.
Jieh Chouf
Lebanon
support@sascontrollers.com

ASTRA V1.2 WIRING DIAG: VVVF - SUPPLY & OUTPUTS

Size B	FCSM No. -	DWG No. ASTRA-VX2_V1W1_SUPPLY.Sch	Rev 1
Scale -	Sheet 1 of 3		



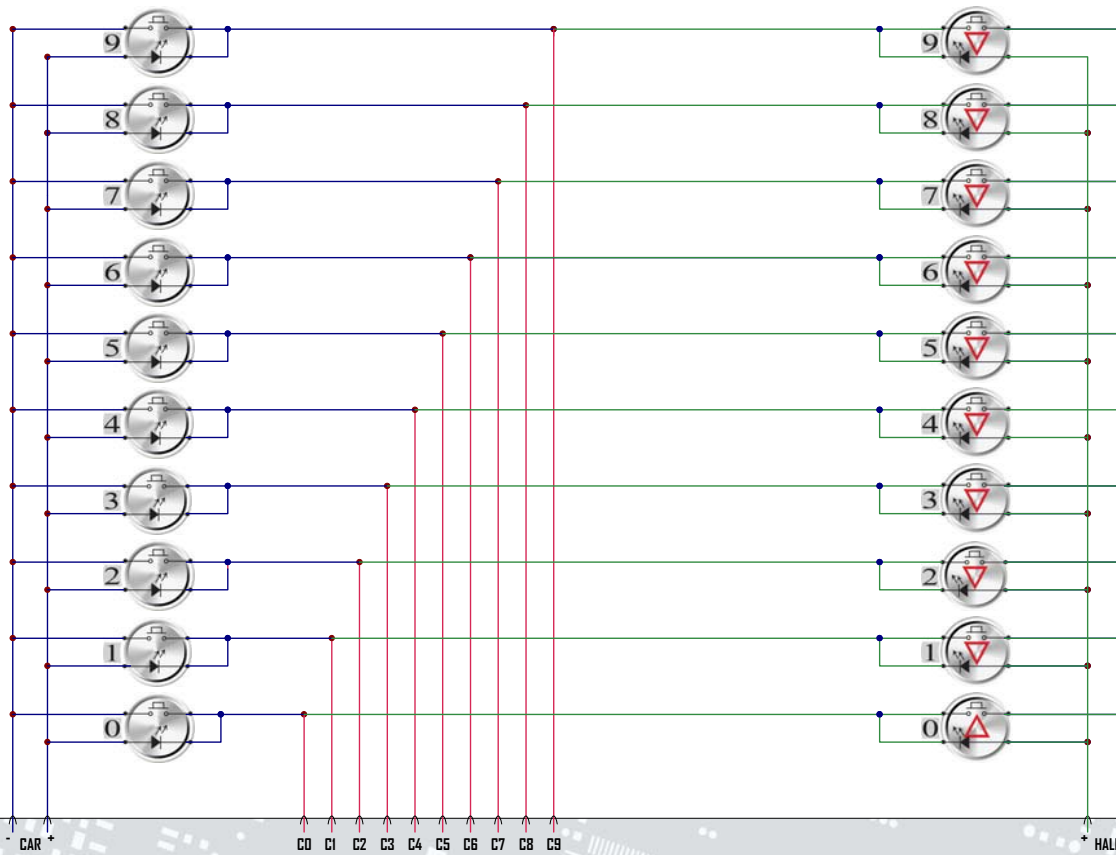
ASTRA V1.2 BOARD

Note:
1- Use the Monostable Magnetic Switches configuration for Automatic door.

S.&A.S. Ltd.
Jieh Chouf
Lebanon
support@sascontrollers.com

ASTRA V1.2 WIRING DIAG: [INPUTS/DOOR INFO](#)

Size B	FCSM No.	DWG No.	Rev 1
		ASTRA-VX2_V1W2_INPUTS.Sch	
Scale		Sheet 2 of 3	



ASTRA V1.2 BOARD

INDICATR="ENHANCED" or "7SEGMENT"		S.&A.S. Ltd. Jieh Chouf Lebanon support@sascontrollers.com	
COLLECTV="DOWN"		ASTRA V1.2 WIRING DIAG: CALLS / FLOOR INFORMATION - Down Collective-10 stops	
Size B	FCSM No. -	DWG No. ASTRA-VX2_V1W3_Calls_Dn10.Sch	Rev 1
Scale -	Sheet 3 of 3		